



06D AND 06E COMPRESSOR DATA AND ACCESSORY GUIDE

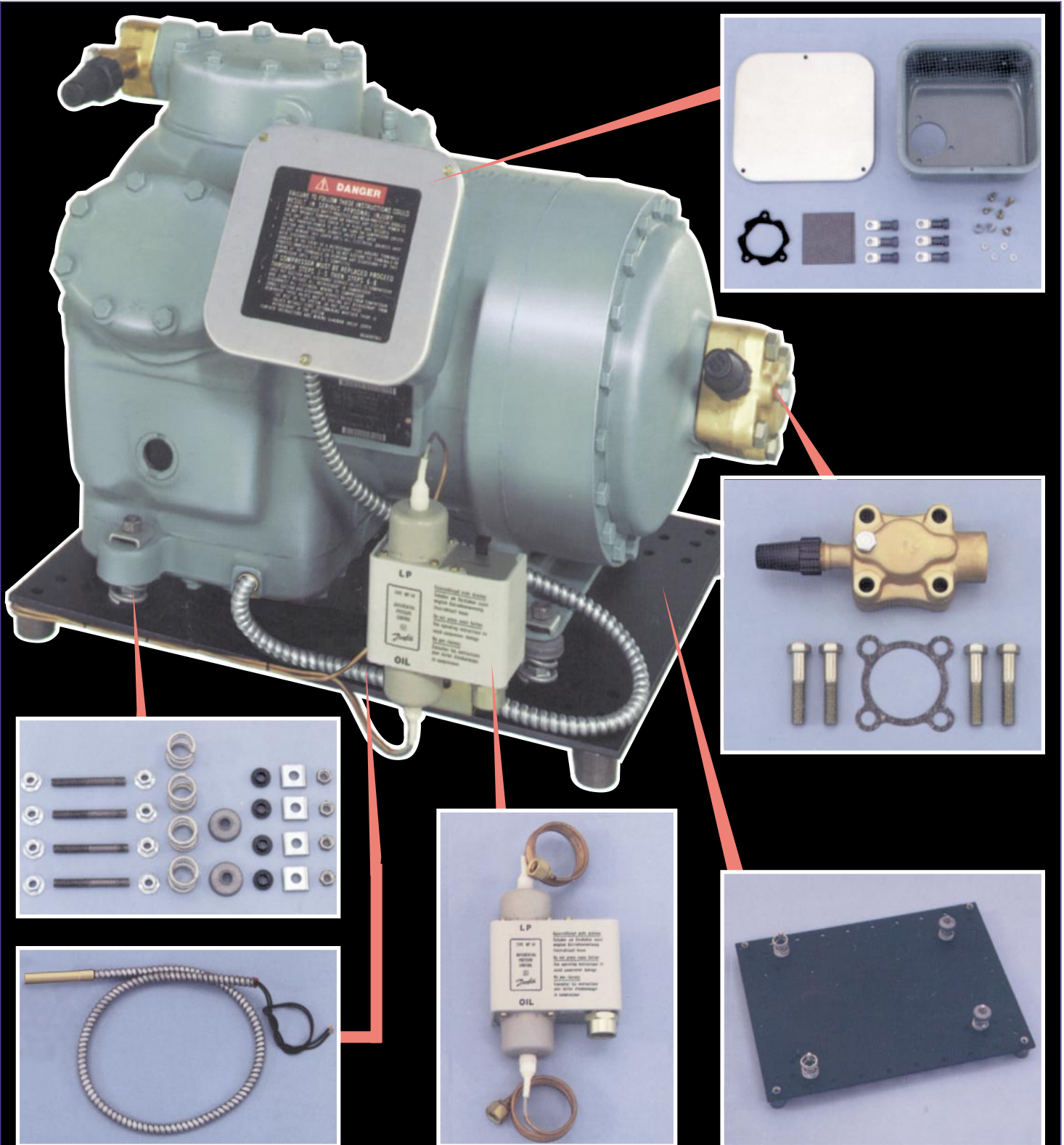




TABLE OF CONTENTS

06D MODEL NUMBER SIGNIFICANCE	3
06D COMPRESSOR APPLICATION DATA FOR AIR CONDITIONING	4
06D COMPRESSOR DATA - AIR CONDITIONING	5, 6, 7
06D COMPRESSOR CIRCUIT BREAKERS	8
06D COMPRESSOR APPLICATION DATA FOR REFRIGERATION	9
06D COMPRESSOR DATA - REFRIGERATION	10, 11
06D COMPRESSOR CIRCUIT BREAKERS	12
06E MODEL NUMBER SIGNIFICANCE	13
06E COMPRESSOR APPLICATION DATA FOR AIR CONDITIONING	14
06E COMPRESSOR DATA - AIR CONDITIONING	15, 16
06E COMPRESSOR CIRCUIT BREAKERS	17
06E COMPRESSOR APPLICATION DATA FOR REFRIGERATION	18
06E COMPRESSOR DATA - REFRIGERATION	19
06E COMPRESSOR CIRCUIT BREAKERS	20
OPTIONAL 06D AND 06E ACCESSORIES:	
SERVICE VALVE KITS	21
COMPRESSOR OIL	22
SUCTION CUT-OFF / HOT GAS BYPASS COMPARISON	23
SUCTION CUT-OFF UNLOADER KITS	24, 25
CRANKCASE HEATERS	26
TERMINAL BOX KITS	27
ELECTRONIC LUBE OIL CONTROL	28
SUSPENSION KITS	28
HEAD COOLING FANS	29
TERMINAL LUGS	29
JUMPER BAR KITS	29
06D AND 06E COMPRESSOR CROSS REFERENCE	30-38

CARLYLE SEMI-HERMETIC COMPRESSORS

GUIDE TO 06D PART NUMBERING SYSTEM

	PRODUCT SERIES			UNLOADER VARIATIONS	MOTOR SIZE	CFM DISPLACEMENT	KEY NUMBER	SUCTION VALVE & M.E. COVER ORIENTATION	INTERNAL OVERLOADS & THERMOSTAT	ELECTRICAL CHARACTERISTIC VARIATIONS	FUTURE DESIGN VARIABLES	PACKAGING VARIATIONS		
MODEL	0	6	D	A	3	1	6	0	0	A	3	2	0	0
VARIABLE DIGIT	1	2	3	4	5	6	7	8	9	10	11	12	13	14

NOTES:

- SPECIAL ORDER SERVICE COMPRESSORS FOR BRYANT MAY BE PROCESSED AS "9" NAMEPLATED "6" (8TH DIGIT).
- SERVICE MODELS WITH "C" IN THE 10TH DIGIT REPLACE ALL "A", "C" AND "E" ORIGINAL EQUIPMENT MODELS AND "D" SERVICE MODELS REPLACE "8" & "F" MODELS. TERMINAL BOXES AND OVERLOADS ARE TO BE RE-USED OR REPLACED IF DAMAGED.
- "09" IN THE 11TH & 12TH DIGITS HAS BEEN USED IN THE PAST FOR 400-3-50 MOTORS AND IS NO LONGER USED, SO AS TO AVOID CONFUSION IN SERVICE THESE DIGITS ARE TO BE LEFT ON THIS CHART BUT ARE NOT TO BE RE-USED.

1st, 2nd, 3rd DIGITS
SIGNIFY 06D HERMETIC RECIP. COMPRESSOR

4th DIGIT UNLOADER VARIABLE			DESCRIPTION
LETTER	SERVICE	BOTH	
A	X		NO HOT GAS BY-PASS UNLOADERS
B	X		ELECTRIC UNLOADERS 1 STEP
C	X		2 STEP
D	X		PRESSURE UNLOADERS 1 STEP
E	X		2 STEP
F	X		SUCTION CUT-OFF 1 STEP
G	X		ELECTRIC UNLOADERS 2 STEP
M		X	MEDIUM TEMPERATURE, REPLACES ALL "A's" IN SERVICE
N		X	2 SHAVED HEADS - SPECIAL ORDER
R		X	REFRIGERATION
W	X		A/C - 2 PLUGGED HEADS, REPLACES ALL C & E SERVICE - SPECIAL ORDER
X	X		1 PLUGGED HEAD REPLACES ALL B, C, D & E PROD. MODELS IN SERVICE
Y	X		REFR. 2 PLUGGED HEADS SERVICE - SPECIAL ORDER
S	X		HI-EFF SERVICE MOD. w/1 BLOCKED UNLOADER HEAD - REPLACES F, G, H & J
H	X		SUCTION CUT-OFF 1 STEP
J	X		PRESSURE UNLOADERS 2 STEP

5th DIGIT VARIABLE	MOTOR SIZES		
	2 CYL	4 CYL	6 CYL
0		3 HP	
1	2 HP		5 HP
2			24 LBFT
3		5 HP	27 LBFT
4	3-1/2 HP		
5		5-1/2 HP	
6			
7		5 HP	20 LBFT
8	3 HP	20 LBFT	24 LBFT
9			

6th & 7th DIGIT CFM	CRANKCASE ASSEMBLY NO.	CYL BORE
07	6D20-249	1-13/16
08	6D23-249	2
09	6D23-249	2
13	6D48-249	2
16	6D48-249	2
18	6D48-249	2
20	6D48-249	2
24	6D68-249	2
28	6D75-249	2
37	6D75-249	2

8th DIGIT VARIABLE	KEY NUMBER SIGNIFICANCE
0	PROD. MOD. w/T-BOX
1	PKG. CPRSR. & CONTROL BOX
2	OEM A/C COMPRESSOR
3	TYLER MODELS
4	TECUMSEH OEM MODELS
5	FUTURE USE
6	REMANUFACTURED SERVICE COMP.
7	NEWMAN SERVICE COMPRESSOR
8	SPECIAL ORDER ONLY
9	SERV. SPEC. OR SEE NOTE 1

13th DIGIT	FUTURE DESIGN VARIABLES
0	ORIGINAL DESIGN A/C & REFRIG.
1	2nd GENERATION REFRIG. COMPRESSOR w/NEW VALVE PLATE
2	MED. RANGE A/C COMPRESSOR w/REFRIG. CHARACTERISTICS
3	LOW CLEARANCE VOLUME
4	SUCTION CUT-OFF ELECTRIC UNLOADERS 1 STEP
5	OILLESS
6	
7	

10th DIGIT	OVERLOAD & T'STAT VARIABLE SEE NOTE 2		DESCRIPTION
	EXTL. OVLDS.	INTL. T'RAT.	
A	YES	YES	
B	YES	NO	
C	NO	YES	
D	NO	NO	
E	YES	YES	1st OVERLOAD VARIATION
F	YES	NO	1st OVERLOAD VARIATION
G	YES	YES	MANUAL RESET OVERLOADS
T	NO	YES	TECUMSEH SERVICE MODELS

14th DIGIT	PACKAGE VARIATIONS
0	SERVICE UNIT SINGLE PACK-BASE UNIT UNPACKAGES
1	SERVICE PACK- DOMESTIC LESS SERVICE VALVE
2	MULTI-PACK - DOMESTIC
3	EXPORT - 1 UNIT
4	MULTI-PACK
5	PALLETIZED
6	GOVERNMENT PACK
7	SERVICE PACK- DOMESTIC w/SERVICE VALVE
8	MATCHED COMPONENTS - CONSISTS OF SEPARATE EXPORT PACKAGE PIECES
9	DOMESTIC MULTI-PACK & MCMINNVILLE

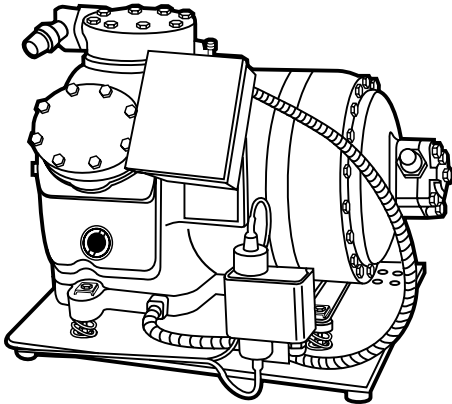
11th & 12th DIGITS	ELECTRICAL CHARACTERISTICS VOLTS-PHASE-HERTZ	START
00		XL
01	575-3-60	XL
02	200-1-60	XL
03	230-1-60	XL
04	200-3-60	XL
05	230-3-60	XL
06	400/460-3-50/60	XL
07	230-1-50	XL
08	220-3-50	XL
09	SEE NOTE 3	XL
10	230-2-60	XL
11	480-3-60	XL
12	208/230-3-60	XL
13	380-3-60	XL
14	200-3-60	P/W
15	230-3-60	P/W
18	220-3-50	P/W
19	230/460-3-60	XL
21	575-3-60	XL
26	400/460-3-50/60	XL
31	575-3-60	XL
32	208/230-3-60	XL
36	400/460-3-50/60	XL
38	415-3-50	P/W
39	415-3-50	XL
33	208/230-1-60	XL
34	220-3-50	XL

9th DIGIT	SUCTION SERVICE VALVE VARIABLES		
	LOC. OF VALUES	M.E. COV. DESC.	VALVE ORIENTATION
A	MOTOR END	2 BOLT	30°
B	MOTOR END	4 BOLT	30°
C	MOTOR END	2 BOLT	90°
D	MOTOR END	4 BOLT	90° or 180°
E	MOTOR END	2 BOLT	150°
F	PUMP END	PLAIN	270°
G	PUMP END	PLAIN	225°

Generally, for a compressor changeout in a Carrier/BDP unit, the use of existing circuit breaker(s) is acceptable.

CARLYLE SEMI-HERMETIC COMPRESSORS

06D CARLYLE SEMI-HERMETIC COMPRESSORS AIR CONDITIONING DUTY COMPRESSOR APPLICATION DATA



For mounting configuration, dimensions and weights, refer to outline drawings in the Totaline Network Parts Catalog.

MODEL NO.	NOMINAL HP	NO. OF CYL.	CFM @ 1750 RPM	SUCTION TEMP. RANGE (°F)	R-22	
					CAPACITY (000 BTUH)	
					AIR COOLED	WATER COOLED
06DM808	3	2	8.0	-10 to 50	45° SST 130° SCT 0° SC	40° SST 105° SCT 0° SC
06D()313	5	4	13.1	-10 to 50	36.7	39.8
06D()818	6.7	6	18.3	-10 to 50	56.9	62.7
06D()724	6.7	6	23.9	-10 to 50	83.3	91.0
06D()824	8	6	23.9	-10 to 50	-	122.6
06D()328	10	6	28.0	-10 to 50	106.5	117.3
06D()337	10	6	37.1	-10 to 50	128.7	140.0
06D()537	15	6	37.1	-10 to 50	-	185.6
					175.4	191.3

CARLYLE SEMI-HERMETIC COMPRESSORS

CARLYLE SEMI-HERMETIC COMPRESSORS

DATA AND ACCESSORY LISTING

To use this chart, first select the compressor suitable for the application. Consider capacity, refrigerant, voltage, wire size, space limitations, etc.

Next, use the compressor model number to enter the accessory tables and find the necessary accessories. These include Circuit Breakers, Service Valve Kits, Terminal Box Kits, Crankcase Heaters. You can also select any optional accessories needed for the installation.

06D COMPRESSOR DATA

STANDARD EFFICIENCY MODELS WITH ONE PLUGGED HOT GAS BYPASS UNLOADER HEAD

COMPRESSOR MODEL NO.	VOLT	HP	CFM	OIL CHG. PINTS	MAX. WATTS	MAX. RLA*	MTA	LRA
4 CYLINDER... AIR CONDITIONING... UNLOADING... 60 HZ								
06DX8186-0600	460	6.7	18.3	7	10800	17.6	22.0	62.0
06DX8186-1200	208/230	6.7	18.3	7	10800	39.0	48.8	137.0
4 CYLINDER... AIR CONDITIONING... UNLOADING... 50 HZ								
06DX8186-0600	400	6.7	15	7	9000	17.6	22.0	62.0
6 CYLINDER... AIR CONDITIONING... UNLOADING... 60 HZ								
06DX7246-0100	575	6.7	23.9	10	10800	14.1	17.6	50.0
06DX7246-0600	460	6.7	23.9	10	10800	17.6	22.0	62.0
06DX7246-1200	208/230	6.7	23.9	10	10800	39.0	48.8	137.0
06DX8246-0100	575	8	23.9	10	14100	17.8	22.2	62.0
06DX8246-0600	460	8	23.9	10	14100	22.2	27.8	77.0
06DX8246-1200	208/230	8	23.9	10	14100	49.3	61.5	170.0
06DX3286-0100	575	9	28	10	15900	20.0	25.0	69.0
06DX3286-0600	460	9	28	10	15900	24.8	31.0	86.0
06DX3286-1200	208/230	9	28	10	15900	55.2	69.0	191.0
06DX3376-0100	575	9	37.1	10	15900	20.0	25.0	69.0
06DX3376-600	460	9	37.1	10	15900	24.8	31.0	86.0
06DX3376-1200	208/230	9	37.1	10	15900	55.2	69.0	191.0
6 CYLINDER... AIR CONDITIONING... UNLOADING... 50 HZ								
06DX7246-0600	400	6.7	20	10	9000	17.6	22.0	62.0
06DX8246-0600	400	8	20	10	11700	22.2	27.8	77.0
06DX3286-0600	400	9	23.3	10	13200	24.8	31.0	86.0
06DX3376-0600	400	9	31	10	13200	24.8	31.0	86.0
06DX5376-0600	400	12.7	31	10	17200	32.0	40.0	120.0
6 CYLINDER... AIR CONDITIONING... UNLOADING... PART WIND START... 60 HZ								
06DX3376-1400	200	9	37.1	10	15900	27.6/27.6	34.5/34.5	115/92
06DX3376-1500	230	9	37.1	10	15900	24.8/24.8	31.0/31.0	103/86
6 CYLINDER... AIR CONDITIONING... UNLOADING... 60 HZ								
06DX5376-0100	575	12.7	37.1	10	20700	25.6	32.0	96.0
06DX5376-0600	460	12.7	37.1	10	20700	32.0	40.0	120.0
06DX5376-1200	208/230	12.7	37.1	10	20700	71.2	89.0	266.0
6 CYLINDER... AIR CONDITIONING... UNLOADING... PART WIND START... 60 HZ								
06DX5376-1400	200	12.7	37.1	10	20700	35.6/35.6	44.5/44.5	160/133
06DX5376-1500	230	12.7	37.1	10	20700	32.0/32.0	40.0/40.0	144/120
6 CYLINDER... AIR CONDITIONING... UNLOADING... PART WIND START... 50 HZ								
06DX328-1800	220	9	23.3	10	13200	41.6	52.0	143
06DX337-1800	220	9	31	10	13200	41.6	52.0	143
06DX537-1800	220	12.7	31	10	17200	46.9	67.0	200

* This is the maximum rated load amp rating for the compressor motor. The overcurrent protection (circuit breaker) in the unit may result in much lower RLA values.

Generally, for a compressor changeout in a Carrier/BDP unit, the use of existing circuit breaker(s) is acceptable.

CARLYLE SEMI-HERMETIC COMPRESSORS

06D COMPRESSOR DATA - SINGLE PHASE STANDARD EFFICIENCY (NO UNLOADING)

COMPRESSOR MODEL NO.	VOLT	HP	CFM	OIL CHG. PINTS	MAX. WATTS	MAX. RLA*	MTA	LRA
2 CYLINDER... AIR CONDITIONING & MEDIUM TEMP.... 60 HZ								
06DM8086-0300	230	3	8	3.5	2800	17.0	22.0	70.0
06DM1096-0300	230	2	8.7	3.5	2800	12.5	15.6	50.0
4 CYLINDER... AIR CONDITIONING & MEDIUM TEMP.... 60 HZ								
06DM3136-0300	230	5	13.1	5	6600	28.0	35.0	100.0
06DM3166-0300	230	5	15.9	5	6600	28.0	35.0	100.0
06DM3186-0300	230	5	18.3	7	6600	28.0	35.0	100.0
06DM5186-0300	230	5.5	18.3	7	7700	36.8	46.0	148.0
06DM7186-0300	230	5	18.3	7	6600	28.0	35.0	100.0

06D COMPRESSOR DATA - THREE PHASE MEDIUM TEMPERATURE (NO UNLOADING)

COMPRESSOR MODEL NO.	VOLT	HP	CFM	OIL CHG. PINTS	MAX. WATTS	MAX. RLA*	MTA	LRA
2 CYLINDER... AIR CONDITIONING & MEDIUM TEMP.... 60 HZ								
06DM8086-3100	575	3	8	3.5	4100	5.6	7.0	28.4
06DM8086-3200	208/230	3	8	3.5	4100	14.0	17.4	71.0
06DM8086-3600	460	3	8	3.5	4100	7.0	8.7	35.5
2 CYLINDER... AIR CONDITIONING & MEDIUM TEMP.... 50 HZ								
06DM8086-3600	400	3	6.7	3.5	3400	7.0	8.7	35.5
4 CYLINDER... AIR CONDITIONING & MEDIUM TEMP.... 60 HZ								
06DM3136-3100	575	5	13.1	5	6250	8.6	10.8	40.0
06DM3136-3200	208/230	5	13.1	5	6250	21.5	27.0	100.0
06DM3136-3600	460	5	13.1	5	6250	10.8	13.5	50.0
06DM3166-3100	575	5	15.9	5	6250	8.6	10.8	40.0
06DM3166-3200	208/230	5	15.9	5	6250	21.5	27.0	100.0
06DM3166-3600	460	5	15.9	5	6250	10.8	13.5	50.0

* This is the maximum rated load amp rating for the compressor motor. The overcurrent protection (circuit breaker) in the unit may result in much lower RLA values.

06D COMPRESSOR DATA - THREE PHASE HIGH EFFICIENCY (NO UNLOADING)

COMPRESSOR MODEL NO.	VOLT	HP	CFM	OIL CHG. PINTS	MAX. WATTS	MAX. RLA*	MTA	LRA
4 CYLINDER... AIR CONDITIONING & MEDIUM TEMP.... 50 HZ								
06DM3136-3600	400	5	11	5	5200	10.8	13.5	50.0
06DM3166-3600	400	5	13	5	5200	10.8	13.5	50.0
6 CYLINDER... AIR CONDITIONING & MEDIUM TEMP.... 60 HZ								
06DM3376-3100	575	10	37.1	10	16500	17.9	25.0	91.0
06DM3376-3600	460	10	37.1	10	16500	22.1	31.0	114.0
06DM3376-3200	208/230	10	37.1	10	16500	44.3	62.0	228.0
6 CYLINDER... AIR CONDITIONING & MEDIUM TEMP.... 50 HZ								
06DM3376-3600	400	8	31	10	13700	22.1	31.0	114.0

* This is the maximum rated load amp rating for the compressor motor. The overcurrent protection (circuit breaker) in the unit may result in much lower RLA values.

CARLYLE SEMI-HERMETIC COMPRESSORS

06D COMPRESSOR DATA - THREE PHASE A/C DUTY UNLOADING

COMPRESSOR MODEL NO.	VOLT	HP	CFM	OIL CHG. PINTS	MAX. WATTS	MAX. RLA*	MTA	LRA
4 CYLINDER... AIR CONDITIONING... UNLOADING... 60 HZ								
06DS3136-3100	575	5	13.1	5	6250	8.6	10.8	40.0
06DS3136-3600	460	5	13.1	5	6250	10.8	13.5	50.0
06DS3136-3200	208/230	5	13.1	5	6250	21.5	27.0	100.0
06DS8166-3600	460	6.7	15.9	5	10800	15.7	22.0	80.0
06DS8186-3100	575	6.7	18.3	7	10800	12.6	17.6	64.0
06DS8186-3600	460	6.7	18.3	7	10800	15.7	22.0	80.0
06DS8186-3200	208/230	6.7	18.3	7	10800	31.5	44.0	160.0
4 CYLINDER AIR CONDITIONING... UNLOADING... 50 HZ								
06DS3136-3600	400	5	11	5	5200	10.8	13.5	50.0
06DS8166-3600	400	6.7	13	5	9000	15.7	22.0	80.0
06DS8186-3600	400	6.7	15	7	9000	15.7	22.0	80.0
6 CYLINDER... AIR CONDITIONING... UNLOADING... 60 HZ								
06DS8246-3100	575	8	239	10	12800	15.9	22.0	79.0
06DS8246-3600	460	8	23.9	10	12800	19.9	27.8	99.0
06DS8246-3200	208/230	8	23.9	10	12800	39.7	55.5	198.0
06DS3286-3100	575	9	28	10	16500	17.9	25.0	91.0
06DS3286-3600	460	9	28	10	16500	22.1	31.0	114.0
06DS3286-3200	208/230	9	28	10	16500	44.3	62.0	228.0
06DS5376-0100	575	12.7	37.1	10	20700	25.6	32.0	96.0
06DS5376-0600	460	12.7	37.1	10	20700	32.0	40.0	120.0
06DS5376-1200	208/230	12.7	37.1	10	20700	71.2	89.0	266.0
6 CYLINDER... AIR CONDITIONING... UNLOADING... 50 HZ								
06DS8246-3600	400	8	20	10	10700	19.9	27.8	99.0
06DS3286-3600	400	9	23	10	13700	22.1	31.0	114.0
06DS5376-0600	400	2.7	31	10	17200	32.0	40.0	120.0

* This is the maximum rated load amp rating for the compressor motor. The overcurrent protection (circuit breaker) in the unit may result in much lower RLA values.

Generally, for a compressor changeout in a Carrier/BDP unit, the use of existing circuit breaker(s) is acceptable.

CARLYLE SEMI-HERMETIC COMPRESSORS

REQUIRED CIRCUIT BREAKERS: 06D... 60Hz

COMPRESSOR MODEL NO.	CIRCUIT BREAKERS	COMPRESSOR MODEL NO.	CIRCUIT BREAKERS	COMPRESSOR MODEL NO.	CIRCUIT BREAKERS
06DM8086-0300	HH83XB480	06DM3376-3200	HH83XB305	06DS5376-1200	HH83XB311
06DM1096-0300	HH83XB481	06DM3376-1400	HH83XE630	06DX8186-0100	HH83XB450
06DM8096-0300	HH32XB480	06DM3376-1500	HH83XE604	06DX8186-0600	HH83XB445
06DM3136-0300	HH83XB483	06DM5376-0100	HH83XB440	06DX8186-1200	HH83XB306
06DM3166-0300	HH83XB483	06DM5376-0600	HH83XB422	06DX72i6-0100	HH83XB450
06DM3186-0300	HH83XB483	06DM5376-1200	HH83XB311	06DX7246-0600	HH83XB419
06DM5186-0300	HH83XB484	06DM5376-1400	HH83XE633	06DX7246-1200	HH83XB429
06DM7186-0300	HH83XB483	06DM5376-1500	HH83XE643	06DX8246-0100	HH83XB419
06DM8086-3200	HH83XB490	06DS3136-3100	HH83XB497	06DX8246-0600	HH83XB400
06DM8086-3600	HH83XB494	06DS3136-3200	HH83XB316	06DX8246-1200	HH83XB307
06DM3136-3100	HH83XB497	06DS3136-3600	HH83XB443	06DX3286-0100	HH83XB451
06DM3136-3200	HH83XB316	06DS8166-3600	HH83XB416	06DX3286-0600	HH83XB452
06DM3136-3600	HH83XB443	06DS8186-3100	HH83XB450	06DX3286-1200	HH83XB305
06DM3166-3100	HH83XB497	06DS8186-3200	HH83XB368	06DX3376-0100	HH83XB451
06DM3166-3200	HH83XB316	06DS8186-3600	HH83XB416	06DX3376-0600	HH83XB452
06DM3166-3600	HH83XB443	06DS8246-3100	HH83XB416	06DX3376-1200	HH83XB305
06DM8186-0100	HH83XB450	06DS8246-3200	HH83XB364	06DX3376-1400	HH83XE630
06DM8186-0600	HH83XB419	06DS8246-3600	HH83XB415	06DX3376-1500	HH83XE604
06DM8186-1200	HH83XB306	06DS3286-3100	HH83XB451	06DX5376-0100	HH83XB420
06DM8246-0100	HH83XB419	06DS3286-3200	HH83XB305	06DX5376-0600	HH83XB401
06DM8246-0600	HH83XB400	06DS3286-3600	HH83XB452	06DX5376-1200	HH83XB311
06DM8246-1200	HH83XB423	06DS5376-0100	HH83XB420	06DX5376-1400	HH83XE633
06DM3376-3100	HH83XB451	06DS5376-0600	HH83XB401	06DX5376-1500	HH83XE643
06DM3376-3600	HH83XB452				

REQUIRED CIRCUIT BREAKERS: 06D... 50Hz

COMPRESSOR MODEL NO.	CIRCUIT BREAKERS	COMPRESSOR MODEL NO.	CIRCUIT BREAKERS	COMPRESSOR MODEL NO.	CIRCUIT BREAKERS
06DM808-3600	HH83XB494	06DS8166-3600	HH83XB416	06DX824-0600	HH83XB400
06DM313-3600	HH83XB443	06DS8186-3600	HH83XB416	06DX328-0600	HH83XB452
06DM316-3600	HH83XB443	06DS8246-3600	HH83XB415	06DX328-1800	HH83XB365
06DM818-0600	HH83XB419	06DS3286-3600	HH83XB452	06DX337-0600	HH83XB452
06DM824-0600	HH83XB400	06DS5376-3600	HH83XB401	06DX337-1800	HH83XB365
06DM337-3600	HH83XB452	06DX818-0600	HH83XB445	06DX537-0600	HH83XB401
06DM537-0600	HH83XB422	06DX724-0600	HH83XB419	06DX537-1800	HH83XB314
06DS3136-3600	HH83XB443				

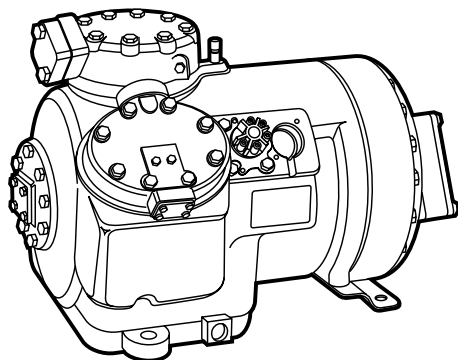
CARLYLE SEMI-HERMETIC COMPRESSORS

06D SERIES REFRIGERATION APPLICATION DATA REFRIGERATION SERVICE MODELS 06DM 06DR

NOTE: OUTLINE DRAWINGS WITH BEGINNING OF 06D SERIES (A/C)
ACCESSORIES
CIRCUIT BREAKER APPLICATION

06D

REFRIGERATION AND MEDIUM TEMPERATURE DUTY COMPRESSOR APPLICATION DATA



For mounting configuration, dimensions and weights, refer to outline drawings in the Totaline Network Parts Catalog.

MODEL NO.	HP	NO. OF CYL.	CFM @ 1750 RPM	SUCTION TEMP. RANGE* (°F)			CAPACITY (000 BTUH)			
							-25° SST 110° SCT 65° SGT 0° SC	20° SST 120° SCT 65° SGT 0° SC	15° SST 110° SCT 65° SGT 0° SC	40° SST 120° SCT 60° SGT 0° SC
				R-502	R-12	R-22	R-502	R-502	R-12	R-22
06DR109	2	2	8.7	-40 to 0**	-10 to 40	-	9.9	-	14.6	-
06DM808	3	2	8.0	-10 to 40	-	-10 to 50	-	23.1	-	35.6
06DR013	3	4	13.1	-40 to 0**	-10 to 40	-	11.7	-	22.7	-
06DM313	5	4	13.1	-10 to 40	-10 to 40	-10 to 50	35.1	20.4	-	55.6
06DR316	5	4	15.9	-40 to 10**	-	-10 to 40	16.2	-	29.1	-
06DM316	5	4	15.9	-10 to 40	-10 to 40	-10 to 50	-	45.0	26.6	69.0
06DR718	5	4	18.3	-40 to 10**	-10 to 40	-	20.4	-	33.7	-
06DR820	6-1/2	4	20.0	40 to 40**	-10 to 40	-10 to 50	22.3	-	37.4	92.5
06DR724	6-1/2	6	23.9	-40 to 40**	-10 to 40	-10 to 50	25.6	-	43.7	109.6
06DR228	7-1/2	6	28.0	40 to 40**	-10 to 40	-10 to 50	31.0	-	51.3	128.2
06DR337	10	6	37.1	40 to 10**	-10 to 40	-	42.7	-	69.3	-
06DM337	10	6	37.1	-10 to 30	-10 to 40	-10 to 35	-	111.1	65.6	165.9

* Condensing temperature range 80 to 120°F.

** Cylinder Head Cooling Fan is required to operate at minimum suction temperatures.

CARLYLE SEMI-HERMETIC COMPRESSORS

06D COMPRESSOR DATA - SINGLE PHASE MEDIUM TEMPERATURE (NO UNLOADING)

COMPRESSOR MODEL NO.	VOLT	HP	CFM	OIL CHG. PINTS	MAX. WATTS	MAX. RLA*	MTA	LRA
2 CYLINDER... MEDIUM TEMP. ... 60 HZ								
06DM8086-0350	230	3	8	3.5	2800	17.0	22.0	70.0
06DM1096-0350	230	2	8.7	3.5	2800	12.5	15.6	50.0
4 CYLINDER... MEDIUM TEMP. ... 60 HZ								
06DM3136-0350	230		13.1	5	6600	28.0	35.0	100.0
06DM3166-0350	230	5	15.9	5	6600	28.0	35.0	100.0
06DM3186-0350	230	5	18.3	7	6600	28.0	35.0	100.0
06DM5186-0350	230	5.5	18.3	7	7700	36.8	46.0	148.0
06DM7186-0350	230	5	18.3	7	6600	28.0	35.0	100.0

06D COMPRESSOR DATA - THREE PHASE MEDIUM TEMPERATURE (NO UNLOADING)

COMPRESSOR MODEL NO.	VOLT	HP	CFM	OIL CHG. PINTS	MAX. WATTS	MAX. RLA*	MTA	LRA
2 CYLINDER... MEDIUM TEMP. ... 60 HZ								
06DM8086-3150	575	3	8	3.5	4100	5.6	7.0	28.4
06DM8086-3250	208/230	3	8	3.5	4100	14.0	17.4	71.0
06DM8086-3650	460	3	8	3.5	4100	7.0	8.7	35.5
2 CYLINDER... MEDIUM TEMP. ... 50 HZ								
06DM8086-3650	400	3	6.7	3.5	3400	7.0	8.7	35.5
4 CYLINDER... MEDIUM TEMP. ... 60 HZ								
06DM3136-3150	575	5	13.1	5	6250	8.6	10.8	40.0
06DM3136-3250	208/230	5	13.1	5	6250	21.5	27.0	100.0
06DM3136-3650	460	5	13.1	5	6250	10.8	13.5	50.0
06DM3166-3150	575	5	15.9	5	6250	8.6	10.8	40.0
06DM3166-3250	208/230	5	15.9	5	6250	21.5	27.0	100.0
06DM3166-3650	460	5	15.9	5	6250	10.8	13.5	50.0
4 CYLINDER... MEDIUM TEMP. ... 60 HZ								
06DM3136-3650	400	5	11	5	5200	10.8	13.5	50.0
06DM3166-3650	400	5	13	5	5200	10.8	13.5	50.0
6 CYLINDER... MEDIUM TEMP. ... 60 HZ								
06DM3376-3150	575	10	37.1	10	16500	17.9	25.0	91.0
06DM3376-3650	460	10	37.1	10	16500	22.1	31.0	114.0
06DM3376-3250	208.230	10	37.1	10	16500	44.3	62.0	228.0
6 CYLINDER... MEDIUM TEMP. ... 50 HZ								
06DM3376-3650	400	8	31.0	10	13700	22.1	31.0	114.0

* This is the maximum rated load amp rating for the compressor motor. The overcurrent protection (circuit breaker) in the unit may result in much lower RLA values.

CARLYLE SEMI-HERMETIC COMPRESSORS

06D COMPRESSOR DATA - SINGLE PHASE LOW TEMPERATURE REFRIGERATION

COMPRESSOR MODEL NO.	VOLT	HP	CFM	OIL CHG. PINTS	MAX. WATTS	MAX. RLA*	MTA	LRA
2 CYLINDER... LOW TEMP. REFRIGERATION... 60HZ								
06DR1096-3350	208/230-1	2	8.7	3.5	3400	17.0	24.0	110.0
4 CYLINDER... LOW TEMP. REFRIGERATION... 60HZ								
06DR0136-3350	208/230-1	3	13.1	5	4800	23.3	32.6	100.0
06DR3166-3350	208/230-1	5	15.9	5	6400	28.6	40.0	150.0
06DR7186-3350	208/230-1	5	18.3	7	6400	28.6	40.0	150.0

06D COMPRESSOR DATA - SINGLE PHASE LOW TEMPERATURE REFRIGERATION

COMPRESSOR MODEL NO.	VOLT	HP	CFM	OIL CHG. PINTS	MAX. WATTS	MAX. RLA*	MTA	LRA
2 CYLINDER... LOW TEMP. REFRIGERATION... 60HZ								
06DR1096-3150	575	2	8.7	3.5	3100	3.1	4.4	21.3
06DR1096-3250	280/230	2	8.7	3.5	3100	8.8	12.1	53.3
06DR1096-3650	460	2	8.7	3.5	3100	3.8	5.5	26.6
2 CYLINDER... LOW TEMP. REFRIGERATION... 50HZ								
06DR109-3650	400	2	7.5	3.5	2600	3.8	5.5	26.6
4 CYLINDER... LOW TEMP. REFRIGERATION ... 60HZ								
06DR0136-3150	575	3	13.1	5	4300	5.6	7.0	28.4
06DR0136-3250	208/230	3	13.1	5	4300	14.0	17.4	71.0
06DR0136-3650	460	3	13.1	5	4300	7.0	8.7	35.5
06DR3166-3150	575	5	15.9	5	6250	8.6	10.8	40.0
06DR3166-3250	208/230	5	15.9	5	6250	21.5	27.0	100.0
06DR3166-3650	460	5	15.9	5	6250	10.8	13.5	50.0
06DR7186-3150	575	5	18.3	7	6250	8.6	10.8	40.0
06DR7186-3250	208/230	5	18.3	7	6250	21.5	27.0	100.0
06DR7186-3650	460	5	18.3	7	6250	10.8	13.5	50.0
06DR8206-3150	575	6.5	20	7	9800	12.6	17.6	64.0
06DR8206-3250	208/230	6.5	20	7	9800	31.5	44.0	160.0
06DR8206-3650	460	6.5	20	7	9800	15.7	22.0	80.0
4 CYLINDER... LOW TEMP. REFRIGERATION... 50 HZ								
06DR013-3650	400	3	11	5	3400	7.0	8.7	35.5
06DR316-3650	400	5	13	5	5200	10.8	13.5	50.0
06DR718-3650	400	5	15	7	5200	10.8	13.5	50.0
06DR820-3650	400	6.5	16.7	7	8200	31.5	44.0	160.0
6 CYLINDER... LOW TEMP. REFRIGERATION... 60 HZ								
06DR7246-3150	575	6.5	23.9	10	9800	12.6	17.6	64.0
06DR7246-3250	208/230	6.5	23.9	10	9800	31.5	44.0	160.0
06DR7246-3650	460	6.5	23.9	10	9800	15.7	22.0	80.0
06DR2286-3150	575	7.5	28	10	12800	15.9	22.2	79.0
06DR2286-3250	208/230	7.5	28	10	12800	39.7	55.5	198.0
06DR2286-3650	460	7.5	28	10	12800	19.9	27.8	99.0
06DR3376-3150	575	10	37.1	10	16500	17.9	25.0	91.0
06DR3376-3250	208/230	10	37.1	10	16500	44.3	62.0	228.0
06DR3376-3650	460	10	37.1	10	16500	22.1	31.0	114.0
6 CYLINDER... LOW TEMP. REFRIGERATION... 50 HZ								
06DR724-3650	400	6.7	20	10	8200	15.7	22.0	80.0
06DR228-3650	400	8	23.3	10	10700	19.9	27.8	99.0
06DR337-3650	400	9	31	10	13700	22.1	31.0	114.0

* This is the maximum rated load amp rating for the compressor motor. The overcurrent protection (circuit breaker) in the unit may result in much lower RLA values.

CARLYLE SEMI-HERMETIC COMPRESSORS

REQUIRED CIRCUIT BREAKERS: 06D... 60Hz

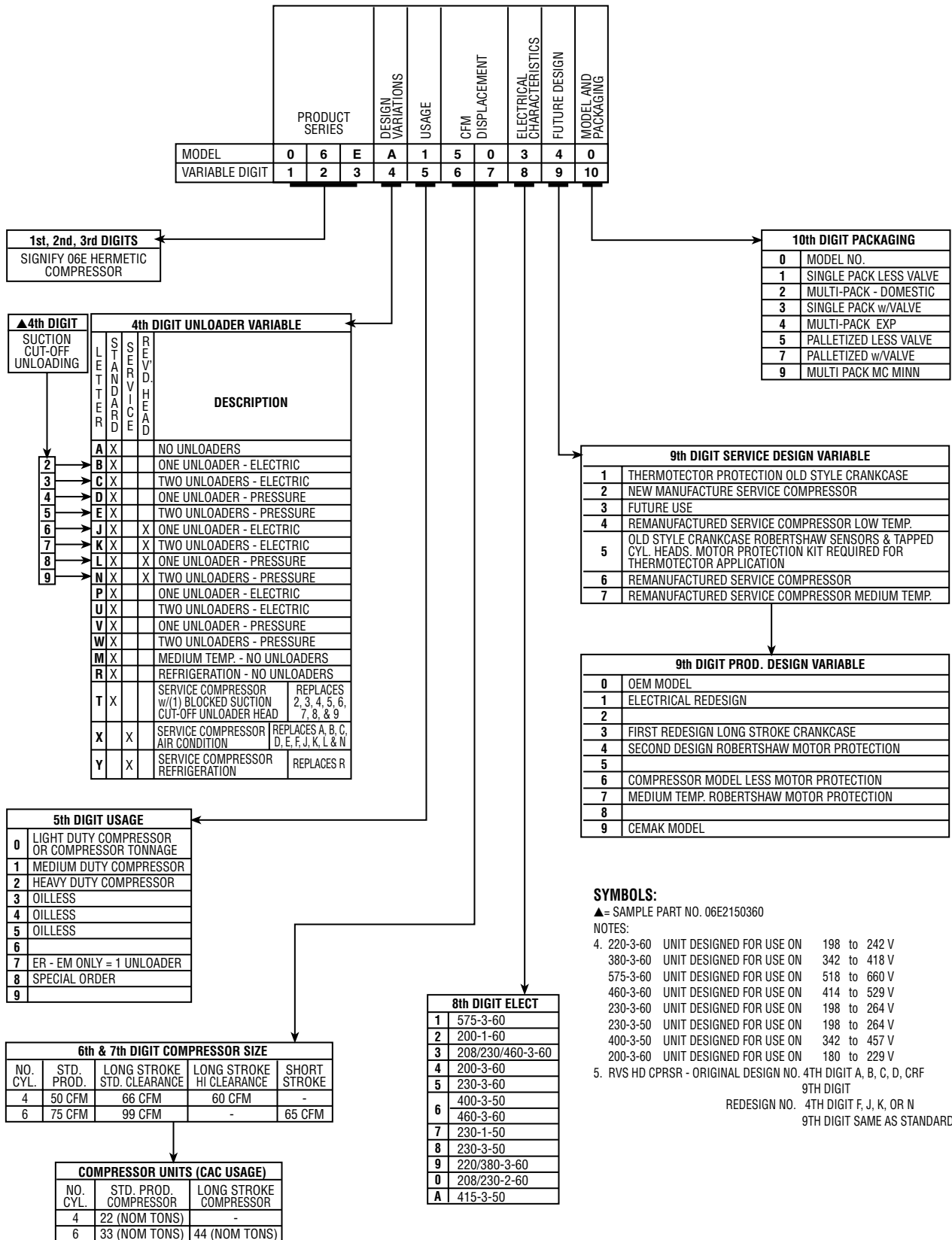
COMPRESSOR MODEL NO.	CIRCUIT BREAKERS	COMPRESSOR MODEL NO.	CIRCUIT BREAKERS	COMPRESSOR MODEL NO.	CIRCUIT BREAKERS
06DR1096-3100	HH83XB498	06DR2286-3200	HH83XB307	06DM3166-3200	HH83XB316
06DR1096-3200	HH83XB492	06DR2286-3600	HH83XB438	06DM3166-3600	HH83XB443
06DR1096-3600	HH83XB495	06DR3376-3100	HH83XB451	06DM8186-0100	HH83XB450
06DR0136-3100	HH83XB496	06DR3376-3200	HH83XB305	06DM8186-0600	HH83XB419
06DR0136-3200	HH83XB490	06DR3376-3600	HH83XB452	06DM8186-1200	HH83XB306
06DR0136-3600	HH83XB494	06DM8086-0300	HH83XB480	06DM8246-0100	HH83XB419
06DR3166-3100	HH83XB497	06DM1096-0300	HH83XB481	06DM8246-0600	HH83XB400
06DR3166-3200	HH83XB415	06DM8096-0300	HH32XB480	06DM8246-1200	HH83XB423
06DR3166-3600	HH83XB443	06DM3136-0300	HH83XB483	06DM3376-3100	HH83XB451
06DR7186-3100	HH83XB497	06DM3166-0300	HH83XB483	06DM3376-3600	HH83XB452
06DR7186-3200	HH83XB415	06DM3186-0300	HH83XB483	06DM3376-3200	HH83XB305
06DR7186-3600	HH83XB443	06DM5186-0300	HH83XB484	06DM3376-1400	HH83XE630
06DR8206-3100	HH83XB450	06DM7186-0300	HH83XB483	06DM3376-1500	HH83XE604
06DR8206-3200	HH83XB306	06DM8086-3200	HH83XB490	06DM5376-0100	HH83XB440
06DR8206-3600	HH83XB419	06DM8086-3600	HH83XB494	06DM5376-0600	HH83XB422
06DR7246-3100	HH83XB450	06DM3136-3100	HH83XB497	06DM5376-1200	HH83XB311
06DR7246-3200	HH83XB306	06DM3136-3200	HH83XB316	06DM5376-1400	HH83XE633
06DR7246-3600	HH83XB419	06DM3136-3600	HH83XB443	06DM5376-1500	HH83XE643
06DR2286-3100	HH83XB419	06DM3166-3100	HH83XB497		

REQUIRED CIRCUIT BREAKERS: 06D... 50Hz

COMPRESSOR MODEL NO.	CIRCUIT BREAKERS	COMPRESSOR MODEL NO.	CIRCUIT BREAKERS	COMPRESSOR MODEL NO.	CIRCUIT BREAKERS
06DR109-3600	HH83XB495	06DR724-3600	HH83XB419	06DM316-3600	HH83XB443
06DR013-3600	HH83XB494	06DR228-3600	HH83XB438	06DM818-0600	HH83XB419
06DR316-3600	HH83XB443	06DR337-3600	HH83XB452	06DM824-0600	HH83XB400
06DR718-3600	HH83XB415	06DM808-3600	HH83XB494	06DM337-3600	HH83XB452
06DR820-3600	HH83XB419	06DM313-3600	HH83XB443	06DM537-0600	HH83XB422

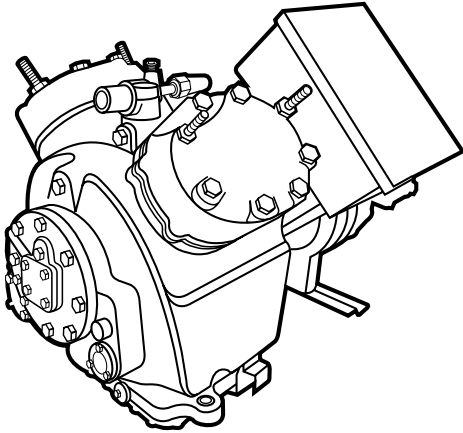
CARLYLE SEMI-HERMETIC COMPRESSORS

GUIDE TO 06E PART NUMBERING SYSTEM



CARLYLE SEMI-HERMETIC COMPRESSORS

06E CARLYLE SEMI-HERMETIC COMPRESSORS AIR CONDITIONING DUTY COMPRESSOR APPLICATION DATA



For mounting configuration, dimensions and weights, refer to outline drawings in the Totaline Network Parts Catalog.

MODEL NO.	NOMINAL HP	NO. OF CYL.	CFM @ 1750 RPM	SUCTION TEMP. RANGE (°F)	R-22	
					CAPACITY (000 BTUH)	
					AIR COOLED	WATER COOLED
					45° SST 130° SCT 0° SC	40° SST 105° SCT 0° SC
06E()150	15	4	50.0	-10 to 50	-	245.8
06E()250	20	4	50.0	-10 to 50	223.3	247.0
06E()265	25	6	65.0	-10 to 50	300.3	334.7
06E()266	25	4	66.0	-10 to 50	290.0	302.6
06E()175	25	6	75.0	-10 to 50	-	364.3
06E()275	30	6	75.0	-10 to 50	332.8	363.0
06E()199	35	6	99.0	-10 to 50	-	469.7
06E()299	40	6	99.0	-10 to 50	437.9	476.3

CFM = Cubic Feet Per Minute
 SST = Saturated Suction Temperature
 SCT = Saturated Condensing Temperature
 SC = Sub Cooling

CARLYLE SEMI-HERMETIC COMPRESSORS

06E COMPRESSOR DATA - THREE PHASE STANDARD EFFICIENCY MODELS WITH ONE HOT PLUGGED GAS BYPASS UNLOADER HEAD

COMPRESSOR MODEL NO.	VOLT	HP	CFM	OIL CHG. PINTS	MAX. WATTS	MAX. RLA*	MTA	LRA
4 CYLINDER... AIR CONDITIONING... 60HZ								
06EX150-160	575	15	50	14	22000	31	38	98
06EX150-360	208-230/460	15	50	14	22000	72/36	90/45	283/142
06EX150-660**	460	15	50	14	22000	36	45	142
06EX250-160	575	20	50	14	25300	36	45	120
06EX250-360	208-230/460	20	50	14	25300	87/44	108/54	345/173
06EX250-660**	460	20	50	14	25300	45	56	150
06EX266-160	575	25	66	14	33600	46	57	164
06EX266-360	208-230/460	25	66	14	33600	112/56	140/70	446/223
06EX266-660	460	25	66	14	33600	57	71	205
4 CYLINDER... AIR CONDITIONING... 50 HZ								
06EX150-360	200/400	15	41.7	14	18300	72/36	90/45	283/142
06EX150-660**	400	15	41.7	14	18300	36	45	142
06EX250-360	200/400	20	41.7	14	21100	87/44	108/54	345/173
06EX250-660**	400	20	41.7	14	21100	45	56	150
06EX266-360	200/400	25	55	14	28000	112/56	140/70	446/223
06EX266-660**	400	25	55	14	28000	57	71	205
6 CYLINDER... AIR CONDITIONING... 60HZ								
06EX265-160	575	25	68	19	33600	46	57	164
06EX265-360	208-230/460	25	68	19	33600	112/56	140/70	446/223
06EX265-660	460	25	68	19	33600	57	71	205
06EX175-160	575	25	75	19	33600	46	57	164
06EX175-360	208-230/460	25	75	19	33600	112/56	140/70	446/223
06EX175-660	460	25	75	19	33600	57	71	205
06EX275-160	575	30	75	19	39100	52	65	176
06EX275-360	208-230/460	30	75	19	39100	135/68	168/84	506/253
06EX275-660	460	30	75	19	39100	65	81	220
06EX299-160	575	40	99	19	54000	77	97	240
06EX299-360	208-230/460	40	99	19	54000	189/95	236/118	690/345
06EX299-660	460	40	99	19	54000	97	121	300
6 CYLINDER... AIR CONDITIONING... 50 HZ								
06EX265-360	200/400	20	54	19	28000	112/56	140/70	446/223
06EX265-660**	400	20	54	19	28000	57	71	205
06EX175-360	200/400	25	62.5	19	28000	112/56	140/70	446/223
06EX175-660**	400	25	62.5	19	28000	57	71	205
06EX275-360	200/400	30	62.5	19	32600	135/68	168/84	506/253
06EX275-660**	400	30	62.5	19	32600	65	81	220
06EX299-360	200/400	40	82.5	19	45000	189/95	236/118	690/345
06EX299-660**	400	40	82.5	19	45000	97	121	300

* This is the maximum rated load amp rating for the compressor motor. The overcurrent protection (circuit breaker) in the unit may result in much lower RLA values.

** Order the discrete 400/460-3-50/60 volt compressor for part wind start applications only. When ordering, place the letters PW after the model number, (i.e., 06EX299660PW).

CARLYLE SEMI-HERMETIC COMPRESSORS

06E COMPRESSOR DATA - THREE PHASE HIGH EFFICIENCY MODELS

COMPRESSOR MODEL NO.	VOLT	HP	CFM	OIL CHG. PINTS	MAX. WATTS	MAX. RLA*	MTA	LRA
4 CYLINDER... AIR CONDITIONING... 60HZ								
06ET150-1()0‡	575	15	50	14	22000	31	38	98
06ET150-3()0‡	208-230/460	15	50	14	22000	72/36	90/45	283/142
06ET150-6()0**‡	460	15	50	14	22000	36	45	142
06ET250-1()0‡	575	20	50	14	25300	36	45	120
06ET250-3()0‡	208-230/460	20	50	14	25300	87/44	108/54	345/173
06ET250-6()0**‡	460	20	50	14	25300	44	54	173
4 CYLINDER... AIR CONDITIONING... 50 HZ								
06ET150-320	200/400	15	41.7	14	18300	72/36	90/45	283/142
06ET150-360	200/400	15	41.7	14	18300	72/36	90/45	283/142
06ET150-620**	400	15	41.7	14	18300	36	45	142
06ET150-660**	400	15	41.7	14	18300	36	45	142
06ET250-320	200/400	20	41.7	14	21100	87/44	108/54	345/173
06ET250-360	200/400	20	41.7	14	21100	87/44	108/54	345/173
06ET250-620**	400	20	41.7	14	21100	44	54	173
06ET250-660**	400	20	41.7	14	21100	44	54	173
6 CYLINDER... AIR CONDITIONING... 60 HZ								
06ET265-1()0‡	575	25	65	19	33600	46	57	164
06ET265-3()0‡	208-230/460	25	65	19	33600	112/56	140/70	446/223
06ET265-6()0**‡	460	25	65	19	33600	56	70	223
06ET175-1()0‡	575	25	75	19	33600	46	57	164
06ET175-3()0‡	208-230/460	25	75	19	33600	112/56	140/70	446/223
06ET175-6()0**‡	460	25	75	19	33600	56	70	223
06ET275-1()0‡	575	30	75	19	39100	52	65	176
06ET275-3()0‡	208-230/460	30	75	19	39100	135/68	168/84	506/253
06ET275-6()0**‡	460	30	75	19	39100	68	84	253
06ET299-1()0‡	575	40	99	19	54000	78	97	240
06ET299-3()0‡	208-230/460	40	99	19	54000	189/95	236/118	690/345
06ET299-6()0**‡	460	40	99	19	54000	95	118	345
6 CYLINDER ... AIR CONDITIONING ... 50 HZ								
06ET265-320	200/400	25	54	19	28000	112/56	140/70	446/223
06ET265-360	200/400	25	54	19	28000	112/56	140/70	446/223
06ET265-620**	400	25	54	19	28000	56	70	223
06ET265-660**	400	25	54	19	28000	56	70	223
06ET175-320	200/400	25	62.5	19	28000	112/56	140/70	446/223
06ET175-360	200/400	25	62.5	19	28000	112/56	140/70	446/223
06ET175-620**	400	25	62.5	19	28000	56	70	223
06ET175-660**	400	25	62.5	19	28000	56	70	223
06ET275-320	200/400	30	62.5	19	32600	135/68	168/84	506/253
06ET275-360	200/400	30	62.5	19	32600	135/68	168/54	506/253
06ET275-620**	400	30	62.5	19	32600	68	84	253
06ET275-660**	400	30	62.5	19	32600	68	84	253
06ET299-320	200/400	40	82.5	19	45000	189/95	236/118	690/345
06ET299-360	200/400	40	82.5	19	45000	189/95	236/118	690/345
06ET299-620**	400	40	82.5	19	45000	95	118	345
06ET299-660**	400	40	82.5	19	45000	95	118	345

* This is the maximum rated load amp rating for the compressor motor. The overcurrent protection (circuit breaker) in the unit may result in much lower RLA values.

** Order the discrete 400/460-3-50/60 volt compressor for part wind start applications only. When ordering, place the letters PW after the model number, (i.e., 06EX299660PW).

‡ Digit indicated by () may be a 6 or a 2.

CARLYLE SEMI-HERMETIC COMPRESSORS

REQUIRED CIRCUIT BREAKERS: 06E... 60Hz

COMPRESSOR MODEL NO.	CIRCUIT BREAKERS	COMPRESSOR MODEL NO.	CIRCUIT BREAKERS	COMPRESSOR MODEL NO.	CIRCUIT BREAKERS
06EX150-160	HH83XB447	06EX175-360	HH83XE664‡	06ET175-620 -660	HH83XE625
06EX150-360	HH83XE612‡		HH83XC409‡‡	06ET250-120 -160	HH83XB446
	HH83XB360‡‡	HH83XB455‡‡‡	06ET250-320,-360	HH83XE622‡	
06EX150-660	HH83XB446‡‡‡	06EX175-660		HH83XB336‡‡	HH83XB437‡‡‡
	06EX250-160	06EX275-160	HH83XE630		
06EX250-360	HH83XB446	06EX275-360	HH83XB424	06ET250-620,-660	HH83XE626
	HH83XE622‡		HH83XC439‡‡	06ET265-120,-160	HH83XB433
06EX250-660	HH83XB336‡‡	06EX275-660	HH83XB471‡‡‡	06ET265-320,-360	HH83XE664‡
	HH83XB437‡‡‡	06EX299-160	HH83XE642		HH83XC409‡‡
06EX266-160	HH83XE626	06EX299-360	HH83XB425	06ET265-620,-660	HH83XB455‡‡‡
06EX266-360	HH83XB436		HH83XE660‡		06ET275-120,-160
	06EX266-660	HH83XE664‡	HH83XC437‡‡	HH83XE662‡‡‡	06ET275-320,-360
06EX265-160		HH83XC409‡‡	HH83XE662	06ET275-620,-660	HH83XB424
	HH83XB455‡‡‡	06ET150-120	HH83XB447		HH83XE615‡
06EX265-360	HH83XE630	06ET150-360	HH83XB446‡‡‡	06ET275-120,-160	HH83XC439‡‡
	HH83XB417‡‡‡		HH83XB360‡‡		HH83XB471‡‡‡
06EX265-660	HH83XB436	06ET150-620,-660	HH83XB446	06ET299-320,-360	HH83XB437‡‡
06EX175-160	HH83XE627‡	06ET175-120,-160	HH83XB436		HH83XB455‡‡‡
	HH83XC409‡‡	06ET175-320,-360	HH83XE664‡	06ET299-620,-660	HH83XE662
HH83XB417‡‡‡	HH83XC409‡‡		HH83XB455‡‡‡		

REQUIRED CIRCUIT BREAKERS: 06E... 50Hz

COMPRESSOR MODEL NO.	CIRCUIT BREAKERS	COMPRESSOR MODEL NO.	CIRCUIT BREAKERS	COMPRESSOR MODEL NO.	CIRCUIT BREAKERS
06EX150-360	HH83XE612‡	06EX275-360	HH83XE615‡	06ET265-620	HH83XE625
	HH83XB360‡‡		HH83XC439‡‡	06ET265-660	
06EX250-360	HH83XB446‡‡‡	06EX275-660	HH83XB471‡‡‡	06ET175-320	HH83XE664‡
	HH83XE622‡		HH83XE642		
06EX250-660	HH83XB336‡‡	06EX299-360	HH83XE660‡	06ET175-360	HH83XB455‡‡‡
	HH83XB437‡‡‡		HH83XC437‡‡		
06EX266-360	HH83XE626	06EX299-660	HH83XE662‡‡‡	06ET175-660	HH83XE625
	HH83XE664‡		HH83XC409‡‡		06ET275-320
06EX266-660	HH83XC409‡‡	06ET150-320	HH83XB360‡‡	06ET275-360	HH83XC439‡‡
	HH83XB455‡‡‡		06ET150-360		HH83XB446‡‡‡
06EX265-360	HH83XE630	06ET250-320	HH83XE622‡	06ET275-620	HH83XE643
	HH83XE627‡		06ET250-320		
06EX265-660	HH83XC409‡‡	06ET250-620	HH83XB437‡‡‡	06ET299-320	HH83XE660‡
	HH83XB417‡‡‡		06ET250-660		
06EX175-360	HH83XE630	06ET265-320	HH83XE664‡	06ET299-360	HH83XE662‡‡‡
	HH83XB455‡‡‡		06ET265-660		
06EX175-660	HH83XE664‡	06ET265-660	HH83XB455‡‡‡	06ET299-620	HH83XE662
	HH83XC409‡‡		HH83XE662	06ET299-660	

NOTE: Circuit breakers listed for Discrete 460V Compressors are sized for part wind start.

‡ This circuit breaker is used when Multi-Volt Compressor is connected for 208/230V PWS operation.

‡‡ This circuit breaker is used when Multi-Volt Compressor is connected for 208/230V XL operation.

‡‡‡ This circuit breaker is used when Multi-Volt Compressor is connected for 460V XL operation.

Accessory Screw Package for Circuit Breakers (Required) - P/N 06EA660102 (not used with HH83XA4_- Series Breakers)

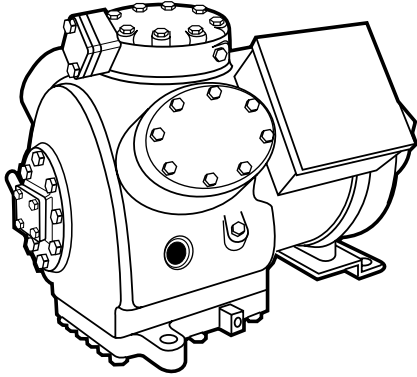
Generally, for a compressor changeout in a Carrier/BDP unit, the use of existing circuit breaker(s) is acceptable.

CARLYLE SEMI-HERMETIC COMPRESSORS

06E SERIES REFRIGERATION APPLICATION DATA REFRIGERATION SERVICE MODELS 06EY 06EZ

NOTE: OUTLINE DRAWINGS WITH BEGINNING OF 06E SERIES (A/C)
ACCESSORIES
CIRCUIT BREAKER APPLICATION

06E REFRIGERATION AND MEDIUM TEMPERATURE DUTY COMPRESSOR APPLICATION DATA



For mounting configuration, dimensions and weights, refer to outline drawings in the Totaline Network Parts Catalog.

MODEL NO.	HP	NO. OF CYL.	CFM @ 1750 RPM	SUCTION TEMP. RANGE* (°F)			CAPACITY (000 BTUH)			
							-25° SST 110° SCT 65° SGT 0° SC	20° SST 120° SCT 65° SGT 0° SC	15° SST 110° SCT 65° SGT 0° SC	40° SST 120° SCT 60° SGT 0° SC
				R-502	R-12	R-22	R-502	R-502	R-12	R-22
06EY150	15	4	50.3	-40 to 10**	-10 to 40	-	54.5	-	92.1	-
06EZ150	15	4	50.3	-10 to 40	-10 to 40	-10 to 40	-	139.0	82.6	219.7
06EY166	20	4	66.0	-40 to 10**	-10 to 40	-	68.0	-	109.0	-
06EZ266	25	4	66.0	-10 to 40		-10 to 50	-	180.0	-	277.0
06EY165	20	6	65.0	-40 to 10**	-10 to 40	-	68.3	-	121.7	-
06EY175	20	6	75.4	-40 to 10**	-10 to 40	-	78.6	-	135.7	-
06EZ175	25	6	75.4	-10 to 40	-10 to 40	-10 to 50	-	207.5	121.0	323.8
06EY099	30	6	99.0	-40 to 10**	-10 to 40	-	104.0	-	172.4	-
06EZ199	35	6	99.0	-10 to 40	-10 to 40	-10 to 50	-	280.0	163.4	422.6

* Condensing temperature range 80 to 120°F.

** Cylinder Head Cooling Fan is required to operate at minimum suction temperatures.

CARLYLE SEMI-HERMETIC COMPRESSORS

06E COMPRESSOR DATA - THREE PHASE LOW TEMPERATURE & MEDIUM TEMPERATURE REFRIGERATION

COMPRESSOR MODEL NO.	VOLT	HP	CFM	OIL CHG. PINTS	MAX. WATTS	MAX. RLA*	MTA	LRA
4 CYLINDER... LOW TEMP. REFRIGERATION... 60 HZ								
06EY150-140	575	15	50.3	14	22000	31	38	98
06EY150-340	208-230/460	15	50.3	14	22000	72/36	90/45	283/142
06EY166-140	575	20	66	14	25300	36	45	120
06EY166-340	208-230/460	20	66	14	25300	87/44	108/54	345/173
06EY166-640**	460	20	66	14	25300	45	56	150
4 CYLINDER... LOW TEMP. REFRIGERATION... 50 HZ								
06EY150-340	200/400	15	41.7	14	18300	72/36	90/45	283/142
06EY166-340	200/400	20	55	14	28000	87/44	108/54	345/173
06EY166-640**	400	20	55	14	28000	45	56	150
6 CYLINDER... LOW TEMP. REFRIGERATION... 60HZ								
06EY165-140	575	20	65	19	25300	36	45	120
06EY165-340	208-230/460	20	65	19	25300	87/44	108/54	345/173
06EY165-640**	460	20	65	19	25300	44	54	173
06EY175-140	575	20	75.4	19	25300	36	45	120
06EY175-340	208-230/460	20	75.4	19	25300	87/44	108/54	345/173
06EY175-640**	460	20	75.4	19	25300	45	56	150
06EY099-140	575	30	99	19	39100	52	65	176
06EY099-340	208-230/460	30	99	19	39100	135/68	168/84	506/253
06EY099-640**	460	30	99	19	39100	65	81	220
6 CYLINDER... LOW TEMP. REFRIGERATION... 50 HZ								
06EY165-340	200/400	20	54	19	21100	87/44	108/54	345/173
06EY165-640**	400	20	54	19	21100	44	54	173
06EY175-340	200/400	20	62.5	19	21100	87/44	108/54	345/173
06EY175-640**	400	20	62.5	19	21100	45	56	150
06EY099-340	200/400	30	82.5	19	32600	135/68	168/84	506/253
06EY099-640**	400	30	82.5	19	32600	65	81	220
4 CYLINDER... MEDIUM TEMP. REFRIGERATION... 60 HZ								
06EZ150-170	575	15	50.3	14	22000	31	38	98
06EZ150-370	208-230/460	15	50.3	14	22000	72/36	90/45	283/142
06EZ266-170	575	25	66	14	33600	46	57	164
06EZ266-370	208-230/460	25	66	14	33600	112/56	140/170	446/223
06EZ266-670**	460	25	66	14	33600	57	71	205
4 CYLINDER... MEDIUM TEMP. REFRIGERATION... 50 HZ								
06EZ150-370	200/400	15	41.7	14	18300	72/36	90/45	283/142
06EZ266-370	200/400	25	55	14	28000	112/56	140/170	446/223
06EZ266-670**	400	25	55	14	28000	57	71	205
6 CYLINDER... MEDIUM TEMP. REFRIGERATION... 60 HZ								
06EZ175-170	575	25	75.4	19	33600	46	57	164
06EZ175-370	208-230/460	25	75.4	19	33600	112/56	140/70	446/223
06EZ175-670**	460	25	75.4	19	33600	57	71	205
06EZ199-170	575	35	99	19	47600	65	82	212
06EZ199-370	208-230/460	35	99	19	47600	155/77	193/96	610/305
06EZ199-670**	460	35	99	19	47600	82	102	265
6 CYLINDER... MEDIUM TEMP. REFRIGERATION... 50 HZ								
06EZ175-370	200/400	25	62.5	19	28000	112/56	140/170	446/223
06EZ175-670**	400	25	62.5	19	28000	57	71	205
06EZ199-370	200/400	35	82.5	19	39700	155/77	193/96	610/305
06EZ199-670**	400	35	82.5	19	39700	82	102	265

* This is the maximum rated load amp rating for the compressor motor. The overcurrent protection (circuit breaker) in the unit may result in much lower RLA values.

** Order the discrete 400/460-3-50/60 volt compressor for part wind start applications only. When ordering, place the letters PW after the model number, (i.e., 06EX299660PW)

Generally, for a compressor changeout in a Carrier/BDP unit, the use of existing circuit breaker(s) is acceptable.

CARLYLE SEMI-HERMETIC COMPRESSORS

REQUIRED CIRCUIT BREAKERS: 06E... 60Hz

COMPRESSOR MODEL NO.	CIRCUIT BREAKERS	COMPRESSOR MODEL NO.	CIRCUIT BREAKERS	COMPRESSOR MODEL NO.	CIRCUIT BREAKERS
06EY150-140	HH83XA460	06EY175-140	HH83XA461	06EZ266-370	HH83XE621‡
06EY150-340	HH83XE633‡	06EY175-340	HH83XE622‡		HH83XC409‡‡
	HH83XB360‡‡		HH83XB336‡‡	HH83XA426‡‡‡	
06EY166-140	HH83XA463‡‡‡	06EY175-640	HH83XA424‡‡‡	06EZ266-670	HH83XE630
	HH83XA461		06EY099-140	HH83XE626	06EZ175-170
06EY166-340	HH83XE622‡	06EY099-340	HH83XA430	06EZ175-370	HH83XE621‡
	HH83XB336‡‡		HH83XE652‡		HH83XC409‡‡
06EY166-640	HH83XA424‡‡‡	06EY099-640	HH83XC439‡‡‡	06EZ175-670	HH83XA426‡‡‡
06EY165-140	HH83XE626		HH83XA425‡‡‡		HH83XE630
06EY165-340	HH83XAi6‡	06EZ150-170	HH83XE642	06EZ199-170	HH83XA453
	HH83XE622‡	06EZ150-370	HH83XA460	06EZ199-370	HH83XE609‡
HH83XB336‡‡	HH83XE633‡		HH83XC432‡‡		
06EY165-640	HH83XB437‡‡‡	06EZ266-170	HH83XB356‡‡	06EZ199-670	HH83XA547‡‡‡
06EY165-640	HH83XE626		HH83XA463‡‡‡		HH83XE623

REQUIRED CIRCUIT BREAKERS: 06E... 50Hz

COMPRESSOR MODEL NO.	CIRCUIT BREAKERS	COMPRESSOR MODEL NO.	CIRCUIT BREAKERS	COMPRESSOR MODEL NO.	CIRCUIT BREAKERS
06EY150-340	HH83XE633‡	06EY175-640*	HH83XE626	06EZ266-670	HH83XE630
	HH83XB360‡‡	06EY099-340	HH83XE652‡	06EZ175-370	HH83XE621
HH83XA463‡‡‡	HH83XC439‡‡		HH83XC409‡‡		
06EY166-340	HH83XE622‡	06EY099-640	HH83XA425‡‡‡	06EZ175-670	HH83XA426‡‡‡
	HH83XB336‡‡		HH83XE642		HH83XE630
06EY166-640	HH83XA424‡‡‡	06EZ150-370	HH83XE633‡	06EZ199-370	HH83XE609‡
06EY166-640	HH83XE626		HH83XB356‡‡		HH83XC432‡‡
06EY165-340	HH83XE622‡	06EZ266-370	HH83XA463‡‡‡	06EZ199-670	HH83XA547‡‡‡
	HH83XB336‡‡		HH83XE621‡		HH83XE623
06EY165-640	HH83XB437‡‡‡	06EY175-340	HH83XC409‡‡		
06EY165-640	HH83XE626		HH83XA426‡‡‡		
06EY175-340	HH83XE622‡				
	HH83XB336‡‡				
	HH83XA42‡‡‡				

NOTE: Circuit breakers listed for Discrete 460V Compressors are sized for part wind start.

‡ This circuit breaker is used when Multi-Volt Compressor is connected for 208/23W PWS operation.

‡‡ This circuit breaker is used when Multi-Volt Compressor is connected for 208/230V XL operation.

‡‡‡ This circuit breaker is used when Multi-Volt Compressor is connected for 460V XL operation.

Accessory Screw Package for Circuit Breakers (Required) - P/N 06EA660102 (not used with HH83XA4_- Series Breakers)

Generally, for a compressor changeout in a Carrier/BDP unit, the use of existing circuit breaker(s) is acceptable.

CARLYLE SEMI-HERMETIC COMPRESSORS

REQUIRED ACCESSORIES - 06D

COMPRESSOR MODEL NO.	TERMINAL BOX KIT	SUCTION SERVICE VALVE KIT	ALTERNATE SUCTION SERVICE VALVE KIT	DISCHARGE SERVICE VALVE KIT	ALTERNATE DISCHARGE SERVICE VALVE KIT	OPTIONAL ACCESSORIES		
						SUSPENSION KIT	PLATE KIT	
06DR109	06DA660075	06DA660061	-	06DA660060	06DA660059 06DA660061	06DA660058	06EA660096	
013	↓	-	-	↓	↓	↓	↓	
316		06DA660064	-					
718		06DA660064	-					
820		06DA660065	06EA660090					
724		06DA660065	06EA660090					
228		06EA660090	-					
337		06EA660090	-					
06DM808	06DA660075	06DA660061	-	06DA660060	06DA660059 06DA660061	06DA660058	↓	
809	↓	-	-	↓	↓	↓		
()313		06DA660061	-					
()316	06DA660078	06DA660064	-	↓	↓	↓		
518	06DA660078	06DA660062	06DA660064					
()818	↓	06DA660064	-	06DA660061	-	06DA660056		
06D()724		06DA660064	-	06DA660061	-	06DA660056		
()824		06DA660063**	06DA660063**	06EA660090**	06DA660062	06DA660064		06DA660057
		-	-	-	-	-		↓
		06DA660064*	-	-	-	-		
()328		06DA660063**	06DA660065**	06EA660090**	06DA660062	06DA660064		
()337		↓	-	-	-	-	↓	
()537	06DA660064*		-	-	-			
		06EA660065	06EA660090	06DA660064	-			
		06DA660065	06EA660090	06DA660064	-			
		06DA660065	06EA660090	06DA660064	-			

* = 2 Bolt ** = 4 Bolt

REQUIRED ACCESSORIES - 06E

COMPRESSOR MODEL NO.	TERMINAL BOX KIT	SUCTION SERVICE VALVE KIT	ALTERNATE SUCTION SERVICE VALVE KIT	DISCHARGE SERVICE VALVE KIT	ALTERNATE DISCHARGE SERVICE VALVE KIT	OPTIONAL ACCESSORIES		
						SUSPENSION KIT	PLATE KIT	
06ET150	06EA660095	06EA660090	-	06DA660064	-	06EA660089	06EA660096	
250	↓	↓	-	06DA660064	-	↓	↓	
265			-	06DA660065	06EA660090			
175			06EA660091	-	06DA660065			06EA660090
275			-	06DA660065	06EA660090			
199			-	06EA660090	-			
299			-	06EA660090	-			
06EX150			06EA660095	06EA660090	-			06DA660064
250	↓	↓	-	06DA660064	-			
166			-	06DA660064	-			
266			-	06DA660064	-			
265			-	06DA660065	06EA660090			
175			06EA660091	-	06DA660065	06EA660090		
275			-	06DA660065	06EA660090			
199			-	06EA660090	-			
299	-	06EA660090	-					
06EY150	06EA660095	06EA660091	-	06DA660064	-	06EA660089	06EA660096	
166	↓	↓	-	06DA660064	-	↓	↓	
175			-	06DA660065	06EA660090			
099			-	06DA660065	06EA660090			
06EZ150			-	06DA660064	-			
266			-	06DA660064	-			
175			-	06DA660065	06EA660090			
199			-	06DA660065	06EA660090			

CARLYLE SEMI-HERMETIC COMPRESSORS

COMPRESSOR OIL



- RECOMMENDED FOR USE WITH ALL REFRIGERANTS
- LOW WAX CONTENT
- HIGH DIELECTRIC STRENGTH
- THERMALLY STABLE

VISCOSITY	SIZE	PIN
150	1 GAL.	VIR - L318
150	5 GAL.	VIR - L318
300	1 GAL.	VIR- L319
300	5 GAL.	VIR - L319
520	1 GAL.	VIR- L319

RCD is pleased to announce the addition of Totaline polyolester oils to our product offering. These products are specifically designed for the use with non-CFC refrigerant R-134a. They are formulated to be useable with R-134a over a wide temperature range while maintaining excellent lubricant capability.

POE OIL

Part numbers are as follows:

PART NO.	DESCRIPTION
P903-1025	SW68, 1 QUART
P903-1001	SW68 1 GALLON
P903-1005	SW68's GALLON
P903-1125	SW32, 1 QUART
P903-1101	SW32, 1 GALLON
P903-1105	SW32, 5 GALLON
P903-1225	SW220, 1 QUART
P903-1201	SW220, 1 GALLON
P903-1205	SW220, 5 GALLON

Note:
Not recommended for -40°F and below.
Use E-68 instead.

LUBRICATION AND VISCOSITY GUIDE

Suniso oil is recommended for use with all refrigerants. Follow the manufacturer's recommendation. If there is none available, use the following guide.

- 1 For the fluorinated Refrigerants 11, 12 and 113 or equivalent, and for methyl chloride, with evaporator temperatures below -20°F, use only Suniso 3GS.
- 2 For the fluorinated Refrigerants 13, 22 and 114 or equivalent, and for sulfur dioxide, ethane, propane and isobutane, use 3GS.
- 3 Suniso 4GS is also suitable for use in air conditioning equipment.
- 4 For ammonia with evaporator temperature above -20°F, use Suniso 4GS. Below -20°F, use Suniso 3GS:

E-68 OIL

For Low, Medium, and High temperature with R-134a, R-404A and R-507 refrigerants.

Part numbers are as follows:

PART NO.	DESCRIPTION
P903-1725	POLY LUBRICANT E68 OIL, 32 OUNCE
P903-1701	POLY LUBRICANT E68 OIL, 1 GALLON
P903-1705	POLY LUBRICANT E68 OIL, 5 GALLON

ALKYLBENZENE OIL

For Refrigerant blends, such as: R-409A, R-401A, R-401B and R-408A

Part numbers are as follows:

PART NO.	DESCRIPTION
P903-2025	ALKYLBENZENE Z-150, 1 QUART
P903-2001	ALKYLBENZENE Z-150, 1 GALLON
P903-2005	ALKYLBENZENE Z-150, 5 GALLON

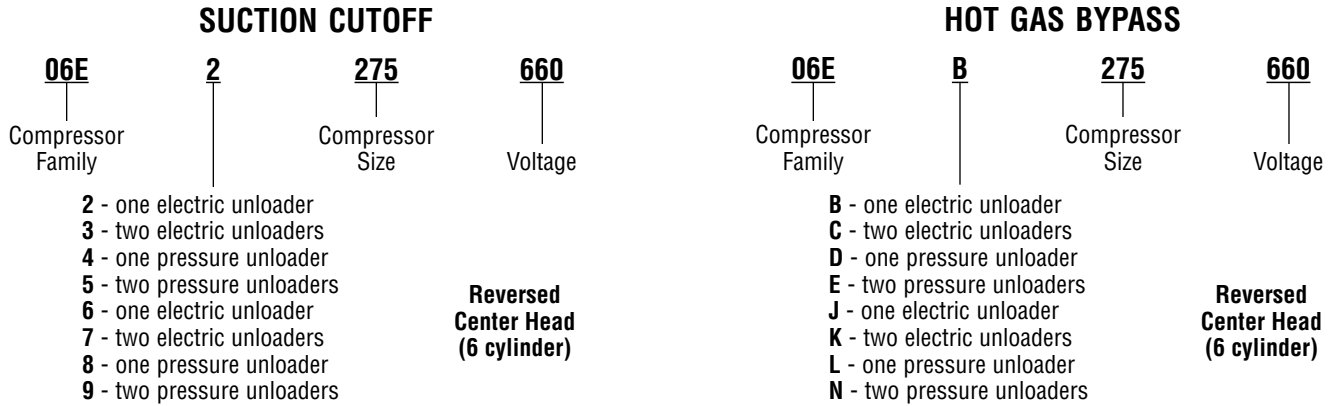
CARLYLE SEMI-HERMETIC COMPRESSORS

SUCTION CUTOFF UNLOADING VS. HOT GAS BYPASS UNLOADING

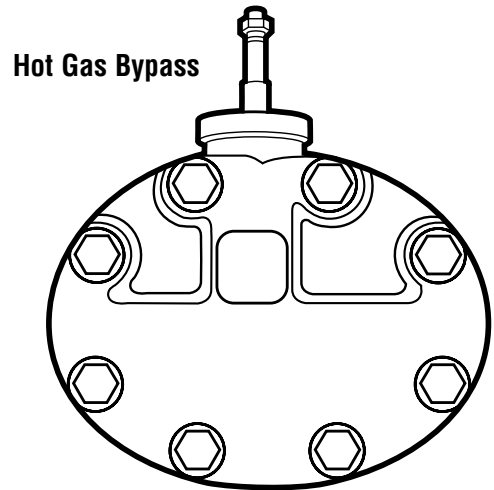
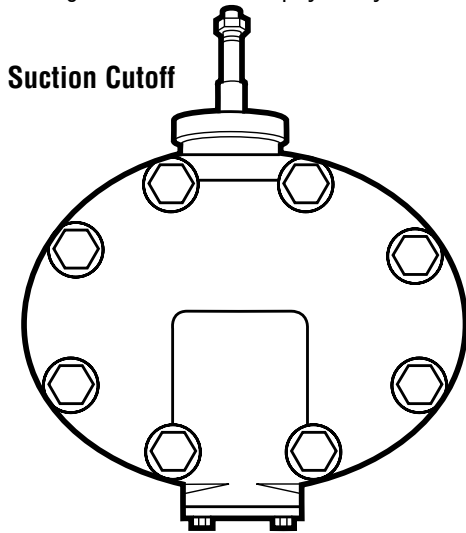
Since 1981 many of the Commercial Products Carrier produced with 06E compressors utilized "Suction Cutoff Unloading" in place of Hot Gas Bypass Unloading.

It is easy to identify a suction cutoff unloading compressor from a hot gas bypass unloading compressor. This can be done in one of two ways:

#1) The Finished Goods (new) compressor model number is different than the hot gas bypass model number.



#2) The unloading heads themselves physically look different.



The parts used in Hot Gas Bypass are different from those used in Suction Cutoff Unloading. These differences are:

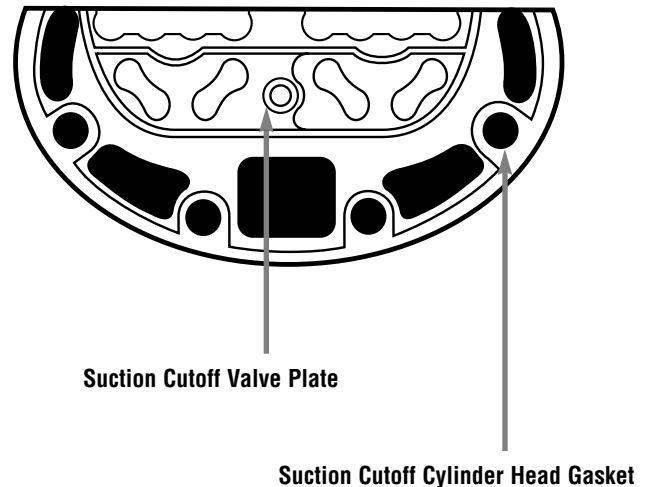
	PART NUMBERS	
	HOT GAS BYPASS	SUCTION CUTOFF
Valve Plate Package	06EA660105	06EA660137
Cylinder Head Gasket	06EA503314	06EA503334
Cylinder Head	06EA500304	06EA503524

The valve plate gasket for both Hot Gas Bypass and Suction Cutoff is 06EA504884.

Both hot gas bypass and suction cutoff use the same Control Valve Packages:

Pressure Control Valve	06EA660100
Electric Control Valve	06EA660135

These control valves are similar to those you used in the past except that the bypass piston is now separate from the valve and the pressure control valve has had internal modifications that allow it to operate on suction cutoff applications.



CARLYLE SEMI-HERMETIC COMPRESSORS

06D SUCTION CUTOFF UNLOADING KITS ELECTRIC CAPACITY CONTROL MODIFICATION PACKAGE PART NO.: 06DA660089

The capacity control valve in this package is actuated by an electric solenoid. The solenoid is either energized or de-energized by the action of an external controller. The solenoid coil is not supplied with this package.

This package can be used to (1) convert an 06D compressor with hot gas bypass unloading to electrically operated suction cutoff unloading, (2) add unloading or (3) add a second bank of unloading to an 06D compressor.

The kit consists of the following:

- Cylinder Head Assembly (incl. capacity control valve)
- Valve Plate Gasket
- Cylinder Head Gasket
- Cylinder Head Bolts
- Instructions
- Solenoid Coils for electric unloader valve.

PART NO.	VOLTAGE
EF19ZE024	24V
EF19ZE120	120V
EF19ZE240	208-240V

PRESSURE CAPACITY CONTROL MODIFICATION PACKAGE PART NO.: 06DA660090 NOT RECOMMENDED FOR REFRIGERATION APPLICATIONS

The capacity control valve in this package is controlled by suction pressure and actuated by discharge pressure.

This package can be used to (1) convert an 06D compressor with hot gas bypass unloading to suction cutoff unloading, (2) add unloading, or (3) add a second bank of unloading to an 06D compressor.

The kit consists of the following:

- Cylinder Head Assembly (incl. capacity control valve)
- Valve Plate Gasket
- Cylinder Head Gasket
- Cylinder Head Bolts
- Instructions

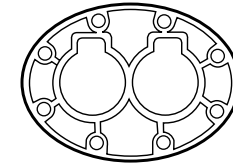
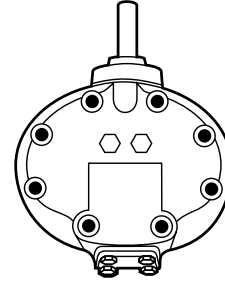
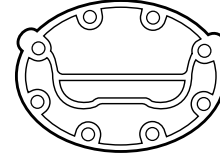
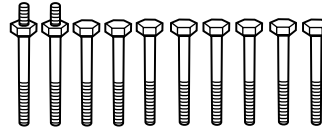
SUCTION CUTOFF UNLOADING REPAIR KIT PART NO.: 06DA660111

This kit contains the parts used internally for the suction cutoff unloading head. It is used for both electric and pressure operated suction cutoff unloading applications. The kit does not contain the capacity control valve.

The kit consists of the following:

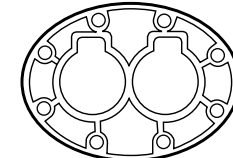
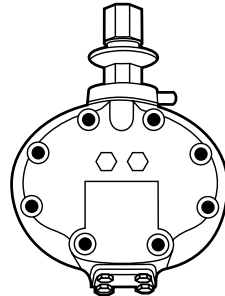
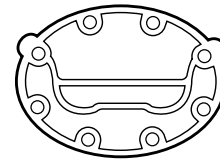
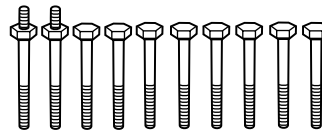
- Piston and Ring
- Valve Body
- Spring
- Capacity Control Valve Gasket
- Cover Gasket
- Strainer
- Instructions

Suction cutoff unloading is the "state of the art" unloading method for the 06D/06E compressors. There are substantial energy savings and improved compressor reliability when a hot gas bypass unloading system is replaced with suction cutoff unloading.



**ELECTRICALLY OPERATED
P/N: 06DA660089**

06DA660089



**PRESSURE OPERATED
P/N: 06DA660090**

*Not Recommended For
Refrigeration Application*

06DA660090

CARLYLE SEMI-HERMETIC COMPRESSORS

06E SUCTION CUTOFF UNLOADING KIT ELECTRIC CAPACITY CONTROL MODIFICATION PACKAGE PART NO.: 06EA660138

The capacity control valve in this package is actuated by an electric solenoid. The solenoid is either energized or de-energized by the action of an external controller. The solenoid coil is not supplied with this package.

This package can be used to (1) convert an 06E compressor with hot gas bypass unloading to electrically operated suction cutoff unloading, (2) add unloading or (3) add a second bank of unloading to an 06E compressor.

The kit consists of the following:

- Cylinder Head Assembly (incl. capacity control valve)
- Valve Plate Gasket (AC & Ref.)
- Suction Valves
- Cylinder Head Gasket
- Capscrews
- Washers
- Instructions
- Solenoid Coils for electric unloader valve.

PART NO.	VOLTAGE
EF19ZE024	24V
EF19ZE120	120V
EF19ZE240	208-240V

PRESSURE CAPACITY CONTROL MODIFICATION PACKAGE PART NO.: 06EA660139 NOT RECOMMENDED FOR REFRIGERATION APPLICATIONS

The capacity control valve in this package is controlled by suction pressure and actuated by discharge pressure.

This package can be used to (1) convert an 06E compressor with hot gas bypass unloading to pressure operated suction cutoff unloading, (2) add unloading, or (3) add a second bank of unloading to an 06E compressor.

The kit consists of the following:

- Cylinder Head Assembly (incl. capacity control valve)
- Valve Plate Gasket (AC & Ref.)
- Suction Valves
- Cylinder Head Gasket
- Capscrews
- Washers
- Instructions

SUCTION CUTOFF UNLOADING REPAIR KIT PART NO.: 06EA660079

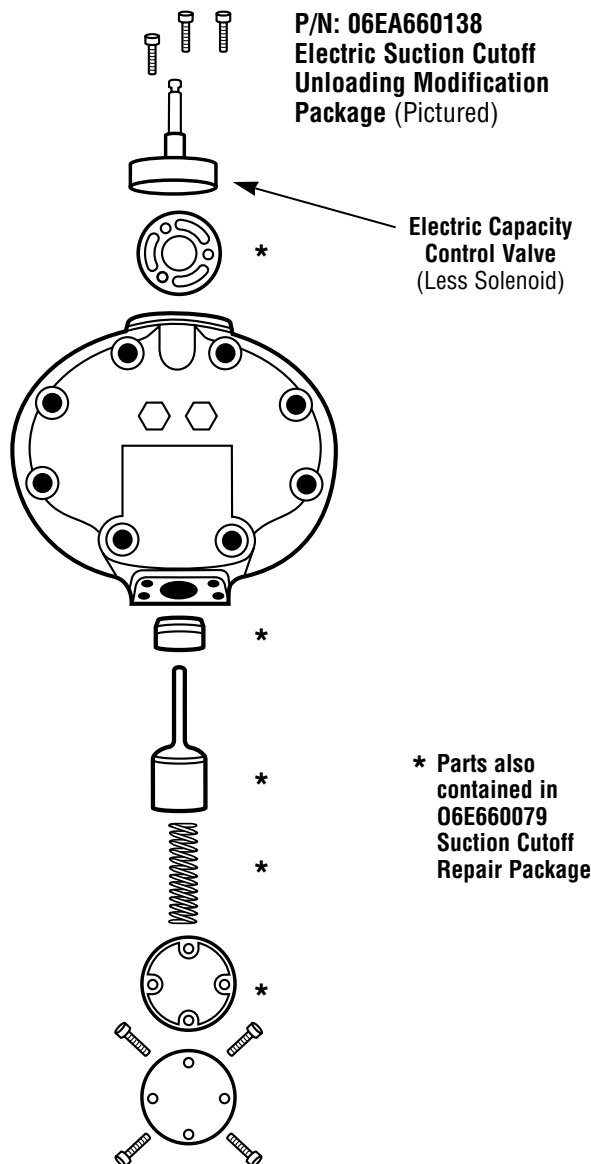
This kit contains the parts used internally for the suction cutoff unloading head. It is used for both electric and pressure operated suction cutoff unloading applications.

The kit **does not** contain the capacity control valve.

The kit contains the following:

- Piston and Ring
- Valve Body
- Spring
- Capacity Control Valve Gasket
- Cover Gasket
- Strainer
- Instructions

Suction cutoff unloading is the "state of the art" unloading method for the 06D/06E compressors. There are substantial energy savings and improved compressor reliability when a hot gas bypass unloading system is replaced with suction cutoff unloading.



CONTROL VALVE KITS

These kits contain the capacity control valve. The 06D and 06E compressors use the same capacity control valve. (The piston assembly is used with hot gas bypass unloading only).

06EA660100 Pressure operated kit contains the following:

- Pressure Operated Capacity Control Valve
- Capacity Control Valve Gasket
- Piston Assembly (for HGBP)
- Wrench Instructions

06EA660135 Electrically operated kit contains the following:

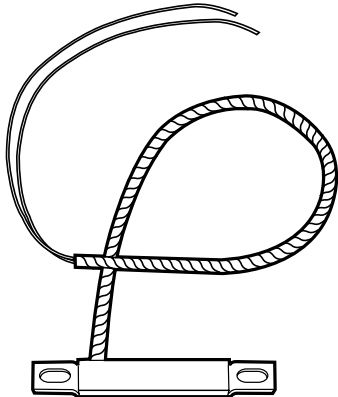
- Electrically Operated Capacity Control Valve
(Select appropriate solenoid coil: 24, 120, or 208-240V)
- Capacity Control Valve Gasket
- Piston Assembly (for HGBP)
- Instructions

CARLYLE SEMI-HERMETIC COMPRESSORS

CRANKCASE HEATERS

BAR / STRIP STYLES

06D, 2 & 4 CYLINDER, 8, 9, 13, 16 CFM MODELS

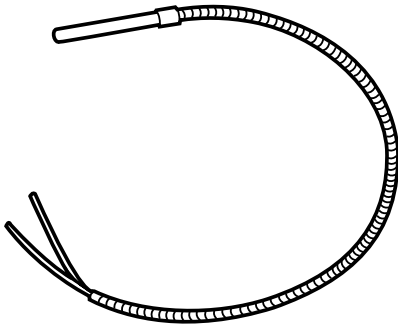


WATTS	VOLTS	LEAD LENGTH (Inches)	CONDUIT LENGTH (Inches)	P/N
50	115	39"	24"	06DA660091
50	230	39"	24"	06DA660092

Dimensions: 7-1/2" Long, 1" Wide, 1/2" Thick

CRANKCASE HEATERS

06D, 06E, 06CC and 06CY

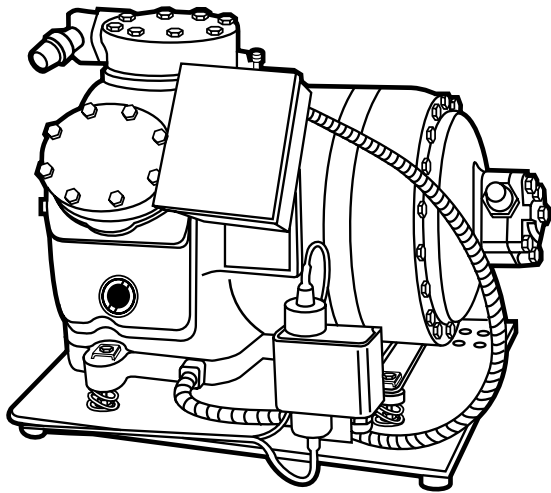


- NEW STRAIGHT TUBE HEATER DESIGN
- KIT CONTAINS CRANKCASE HEATER, RETAINER CLIP AND ANTISHORT BUSHING, HEAT CONDUCTING GREASE (P/N: 38AQ680001)

CRANKCASE HEATER PACKAGE	HEATER NUMBER	VOLTS	WATTS	CONDUIT LENGTH (Inches)	WIRE LENGTH (Inches)
06EA660165	HT36DM132	115	180	19"	24"
06EA660167	HT36DM134	115	180	52"	73"
06EA660166	HT36DM432	230	180	19"	24"
06EA660168	HT36DM434	230	180	52"	73"
06EA660107	HT36FL379	120	125	52"	73"
06DA660076	HT36DL480	480	125	NONE	24"

CARLYLE SEMI-HERMETIC COMPRESSORS

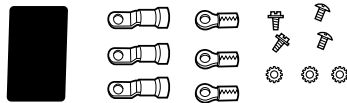
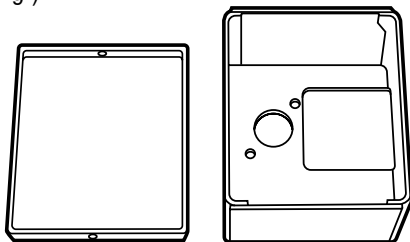
06D TERMINAL BOX KITS



This kit consists of the terminal box and cover plus all screws, washers, and terminals.

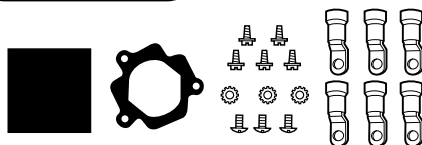
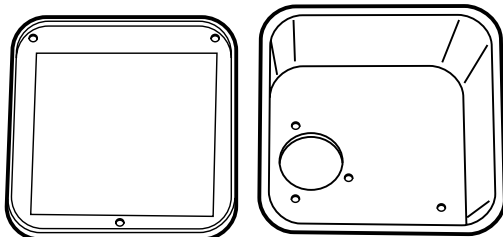
P/N: 06DA660075

NOTE: Separate terminal lug package is available. Part No. 06DA660095 (contains 6 terminal lugs and set screws per pkg.)



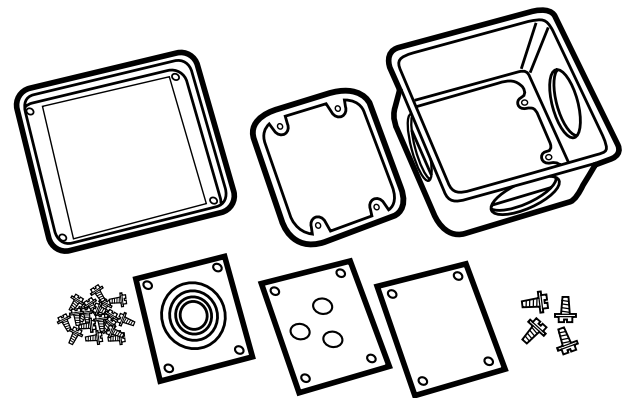
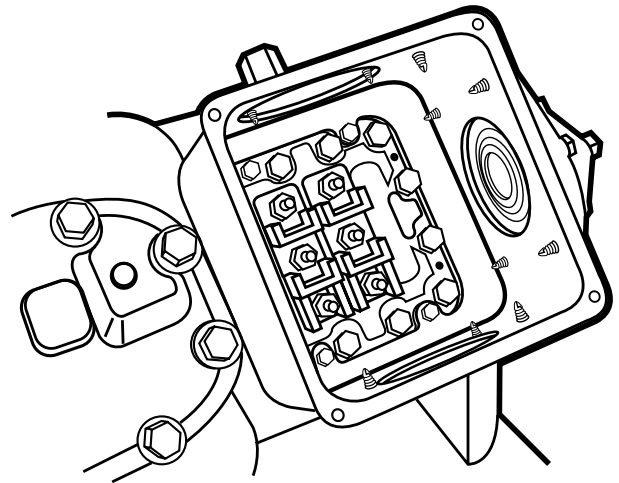
06DA660075 can be used in place of 06DA660078 Terminal Box and Cover Package if overloads are to be used with the compressor. However, it may be necessary to field fabricate a mounting box spacer to allow the 06DA660075 box to mount on the compressor body without interfering with the Compressor Terminal Insulator.

The 06DA660078 Terminal Box and Cover Package mounts directly to the Terminal Plate.



P/N: 06DA660078

06E TERMINAL BOX KITS



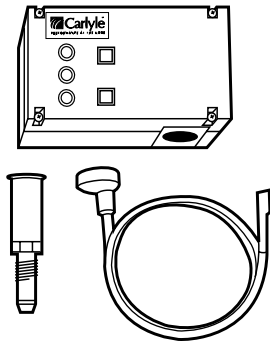
This kit consists of the terminal box, cover, gasket and 3 cover plates (one blank, one with 3 knockouts, one with concentric knockouts). Screws are included.

P/N: 06EA660095

NOTE: Separate terminal lug package is available. Part No. 06EA660136 (contains 6 terminal lugs and set screws per pkg.)

CARLYLE SEMI-HERMETIC COMPRESSORS

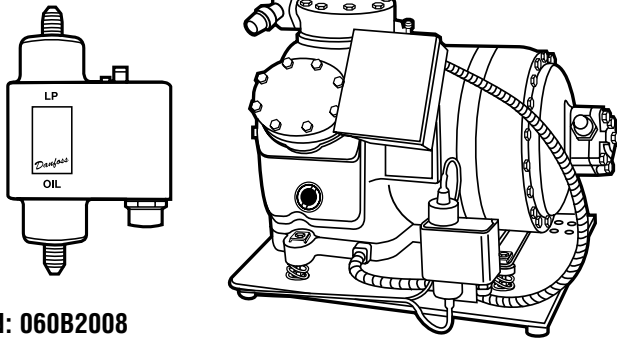
06D, 06E ELECTRONIC LUBE OIL CONTROL



- Solid State
- LED'S continuously display status of the compressor lubrication system.
- When control is connected to 06E bearing head or 6D68952A (new 06D bearing head), external tubing is eliminated.
- Timing is not cumulative as in controls using a thermal timing circuit. Each time a low oil pressure condition is sensed, the time delay will be of full duration.
- Short cycle protection - select either 35,65 or 100 second time delay periods to prevent rapid cycling (feature can also be bypassed)
- Manual Reset

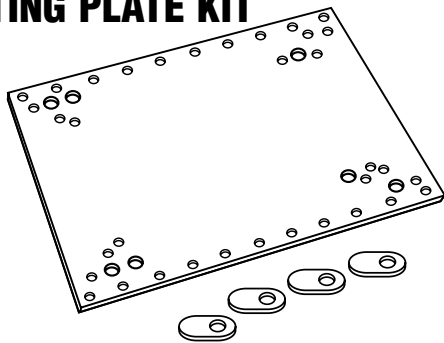
P/N: 05DA660115

06D, 06E LUBE OIL CONTROL



P/N: 060B2008

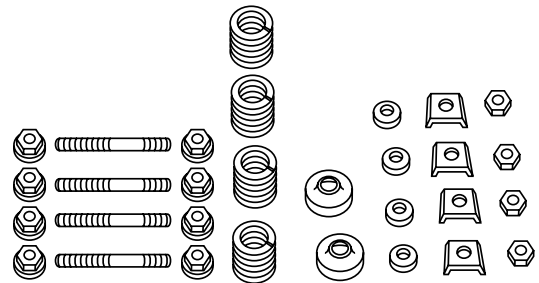
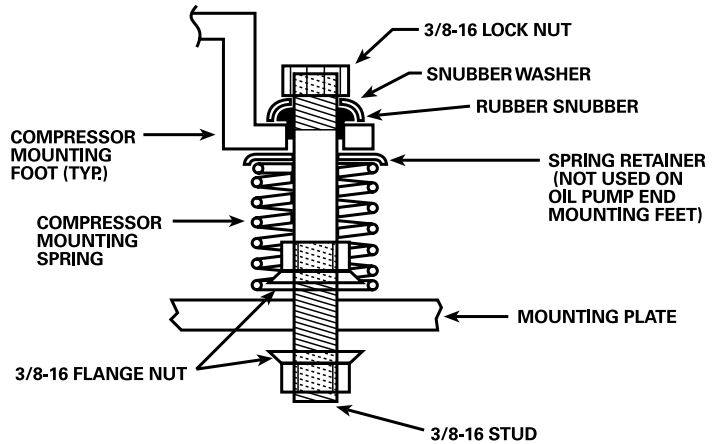
06D, 06E COMPRESSOR MOUNTING PLATE KIT



This universal mounting plate kit will accommodate any size 06D or 06E compressor offered by RCD. The kit includes the predrilled mounting plate, spacers and template.

P/N: 06EA660096

06D, 06E SUSPENSION KIT



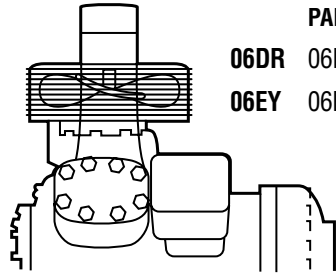
Suspension kit consists of mounting springs, studs, rubber snubbers, spring retainers, nuts and washers.

COMPRESSOR MODEL NO.	SUSPENSION KIT PART NO.	COMPRESSOR MODEL NO.	SUSPENSION KIT PART NO.	
06ET150	06EA660089	06DR1096	06DA660058	
250	↓	0136	06DA660056	
265		3166	06DA660056	
275		7186	06DA660056	
299		8206	06DA660056	
06EX150		7246	06DA660057	
250		2286	06DA660057	
166		3376	06DA660057	
266		06DM8086	06DA660058	
265		3136	06DA660056	
175		3166	06DA660056	
275	8186	06DA660056		
199	3376	06DA660057		
299	5376	06DA660057		
06EY150	06EA660089	7246	06DA660057	
175	↓	8246	06DA660057	
099		06CC/CY016	06DA660057	
06EZ150		018	06DA660057	
266		124	06DA660057	
175		228	06DA660057	
199		337	06DA660057	
06DX8186		06DA660056	550	06DA660089
7246		06DA660057	665	06DA660089
8246		↓	675	06DA660089
3286			899	06DA660089
3376				
5376				

CARLYLE SEMI-HERMETIC COMPRESSORS

OPTIONAL ACCESSORIES - 06D & 06E

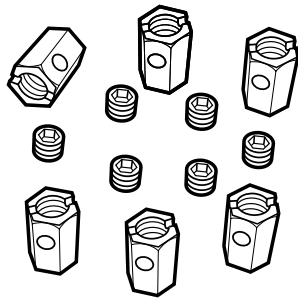
CYLINDER HEAD COOLING FAN PACKAGE



PART NO.	Description
06DR 06DR660014	208/230-1-60/1550 RPM
06EY 06ER660011	208/230-1-60/1550 RPM

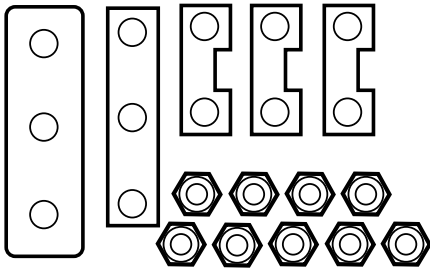
06D TERMINAL LUG PACKAGE

(6 TERMINAL LUGS AND SET SCREWS PER PKG.)



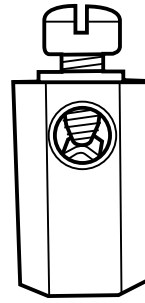
P/N: 06DA660095

06E ACCESSORY ACROSS-THE-LINE JUMPER BAR KIT WITH JAM NUTS



P/N: 06EA660141

06E TERMINAL LUGS



NOTE: For some 200/230 volt across the line installations, the connection of 3 power wires to the compressor may not be possible because the wire diameter may be too large to fit the below listed lugs. In these instances we recommend that 6 motor leads and 6 terminal lugs be used to connect to the compressor terminal plate. The use of 6 leads (instead of 3) allows for a wire size reduction. Consult the National Electric Code or your local electric code for the appropriate wire sizing information.

PART NO.	FITS WIRE SIZE
HY85TB004	#8 to #4
HY85TB008*	#4 to #1

MUFFLERS



NOM. TON CAR	O.D. (IN.)	LENGTH (IN.)	INLET* DIM. (IN.)	OUTLET* DIM. (IN.)	P/N
5	2	7-7/16	5/8	5/8	LM10KH005
10	3	11-1/4	7/8	7/8	06DA605604
10	3-1/8	10	7/8 OD**	7/8	50K8-3913
10	3	11-11/16	7/8	7/8 OD	38BA400603
10	3	12-1/4	7/8 OD	7/8	50K8-4503
15	3	11-1/4	1-1/8	1-1/8	06DA605614
25	4	13-3/4	1-3/8 OD	1-3/8 OD	05HY500853
25	4	13-7/8	1-1/2 OD	1-1/2 OD***	LM10HH100
30	4	15-5/8	1 -3/8	1 -3/8**	06EA500302
40	4	13-7/8	1-5/8	1-1/8**	06EA500712
40	4	15-5/8	1-5/8	1-5/8***	06EA500422
50	4	14-3/8	1-1/8	1-1/8***	48DD511042
75	6	22-5/8	2-5/8 OD	2-5/8 OD	05HG680007
100	6	22-5/8	3-1/8 OD	3-1/8 OD	05HG680005
150	8	22-5/8	3-1/8	3-1/8	05HY501013

* Inlet and outlet dimensions are specified as I.D. unless otherwise indicated.

** Steel tube on inlet end.

*** Internal oil pick-up tube on outlet end.

COMPRESSOR CROSS REFERENCE

COMPRESSOR CROSS REFERENCE DATA

CAUTION: These suggested service replacement compressors are possible substitutes for the listed competitive compressor models. Understand, due to the many possible variations and applications, the RCD suggested replacement may not be a direct substitution. The RCD compressors were matched to the competitive compressor based on general compressor parameters (horsepower, cfm, drive, and mechanical similarities, etc.). Know the application, electrical requirements, mounting and physical limitations before recommending a service replacement.

MANUFACTURER	MODEL #	HP	NOTES	CARLYLE REPLACEMENT
Bristol	H2NG124	—	Hermetic	06DM824
Bristol	H2NG144	—	Hermetic	06DX328
Bristol	H2NG184	—	Hermetic	06DX537
Bristol	H2NG204	—	Hermetic	06ET250
Chrysler	2000-00	100	Open Drive	5H120
Chrysler	2020-00	20	Open Drive	5F60
Chrysler	2025-00	25	Open Drive	5F60
Chrysler	2030-00	30	Open Drive	5H40
Chrysler	2040-00	40	Open Drive	5H46
Chrysler	2050-00	50	Open Drive	5H60
Chrysler	2060-00	60	Open Drive	5H66
Chrysler	2075-00	75	Open Drive	5H80
Chrysler	3000-01	100	Semi-Hermetic	06LH228
Chrysler	300401	4	Hermetic	06DM313
Chrysler	3005-01	5	Hermetic	06DM316
Chrysler	3009-04	9	Hermetic	06DX328
Chrysler	3011-1	11	Hermetic	06DX328
Chrysler	3013-01P	13	Hermetic	06DX328
Chrysler	3013-02	13	Hermetic	06DX328
Chrysler	3015-1	15	Semi-Hermetic	06DX537
Chrysler	3015-11	15	Semi-Hermetic	06DX537
Chrysler	3019-00R	19	Hermetic	06E()250
Chrysler	3019-01R	19	Hermetic	06E()250
Chrysler	3019-02	19	Hermetic	06E()250
Chrysler	3019-02R	19	Hermetic	06E()250
Chrysler	3019-02Z	19	Hermetic	06E()250
Chrysler	3025-00	25	Semi-Hermetic	06EZ175
Chrysler	3030-00	30	Semi-Hermetic	06ET275
Chrysler	3030-02	30	Semi-Hermetic	06ET275
Chrysler	3040	40	Semi-Hermetic	06EX299
Chrysler	3050	50	Semi-Hermetic	06LH214
Chrysler	3060-01	60	Remove 1 Suction Ring 1st to Unload	06LH218
Chrysler	3060-1	60	Remove 1 Suction Ring 1st to Unload	06LH218
Chrysler	3075	75	Semi-Hermetic	06LH218
Copeland	2DA3-0500	5	R-12 Med. Temp.	06DR718
Copeland	2DA3-0600	6	R-502 Low Temp. Cylinder Head Cooling Fan Req.	06DR820
Copeland	2DA3-0750	7.5	R-502 Med. Temp.	06DR820
Copeland	2DA3-0750	7.5	R-22 A/C Duty	06DM818
Copeland	2DB3-0500	5	R-12 Med. Temp.	06DR820
Copeland	2DB3-0600	6	R-502 Low Temp. Cylinder Head Cooling Fan Req.	06DR820
Copeland	2DC3-0500	5	R-502 Med. Temp.	06DM313
Copeland	2DC3-0500	5	R-22 A/C Duty	06DM313
Copeland	2DD3-0500	5	R-502 Med. Temp.	06DM313
Copeland	2DD3-0500	5	R-22 A/C Duty	06DM313
Copeland	2DF3-0300	3	R-12 Med. Temp.	06DM/DR316
Copeland	2DF3-0300	3	R-502 Low Temp. Cylinder Head Cooling Fan Req.	06DR316
Copeland	2DL3-0750	7.5	R-502 Med. Temp.	06DR820
Copeland	2DL3-0750	8	R-22 A/C Duty	06DM818
Copeland	3DA3-0500	5	R-12 Med. Temp.	06DR724
Copeland	3DA3-0600	6	R-502 Low Temp. Cylinder Head Cooling Fan Req.	06DR724
Copeland	3DA3-0750	7.5	R-502 Med. Temp.	06DR724
Copeland	3DA3-0750	8	R-22 A/C Duty	06DM824
Copeland	3DB3-0750	7.5	R-12 Med. Temp.	06DR228

COMPRESSOR CROSS REFERENCE

COMPRESSOR CROSS REFERENCE DATA continued

CAUTION: These suggested service replacement compressors are possible substitutes for the listed competitive compressor models. Understand, due to the many possible variations and applications, the RCD suggested replacement may not be a direct substitution. The RCD compressors were matched to the competitive compressor based on general compressor parameters (horsepower, cfm, drive, and mechanical similarities, etc.). Know the application, electrical requirements, mounting and physical limitations before recommending a service replacement.

MANUFACTURER	MODEL #	HP	NOTES	CARLYLE REPLACEMENT
Copeland	3DB3-0750	7.5	R-502 Low Temp. Cylinder Head Cooling Fan Req.	06DR228
Copeland	3DB3-1000	10	R-502 Med. Temp.	06DR228
Copeland	3DB3-1000	10	R-22 A/C Duty	06DX328
Copeland	3DF3-0900	9	R-12 Med. Temp.	06DM/DR337
Copeland	3DF3-0900	9	R-502 Low Temp. Cylinder Head Cooling Fan Req.	06DR337
Copeland	3DS3-1000	10	R-12 Med. Temp.	06DM/DR337
Copeland	3DS3-1000	10	R-502 Low Temp. Cylinder Head Cooling Fan Req.	06DR337
Copeland	3DS3-1500	15	R-502 Med. Temp.	06DM337
Copeland	3DS3-1500	15	R-22 A/C Duty	06DM537
Copeland	3RA1-0310	3	R-502 Med. Temp.	06DM313
Copeland	3RA1-0310	3	R-22 A/C Duty	06DM313
Copeland	3RK2-0310	3	R-12 Med. Temp.	06DR013
Copeland	4DA1-1000	10	R-502 Low Temp. Cylinder Head Cooling Fan Req.	06EY150
Copeland	4DA1-1000	10	R-12 Med. Temp.	06EY/EZ150
Copeland	4DA1-2000	20	R-502 Med. Temp.	06EZ150
Copeland	4DH1-2000	20	R-502 Med. Temp.	06EZ150
Copeland	4DH1-1500	15	R-12 Med. Temp.	06EY/EZ150
Copeland	4DH1-2500	25	R-22 A/C Duty	06ET250
Copeland	4DH1-2500	25	R-502 Med. Temp.	06ET265
Copeland	4DJ1-2000	20	R-12 Med. Temp.	06EY165
Copeland	4DJ1-3000	30	R-22 A/C Duty	06ET265
Copeland	4DJ1-3000	30	R-502 Med. Temp.	06ET265
Copeland	4DL1-1500	15	R-502 Low Temp. Cylinder Head Cooling Fan Req.	06EY150
Copeland	4DR1-3000	30	R-22 A/C Duty	06ET265
Copeland	4DT1-2200	22	R-502 Low Temp. Cylinder Head Cooling Fan Req.	06EY165
Copeland	4RA3-1000	10	R-502 Low Temp. Cylinder Head Cooling Fan Req.	06DR337
Copeland	4RA3-1000	10	R-12 Med. Temp.	06DM337
Copeland	4RA3-2000	20	R-22 A/C Duty	06ET250
Copeland	4RA3-2000	20	R-502 Med. Temp.	06EZ150
Copeland	4RE2-2000	20	R-22	06D()537
Copeland	4RH1-1500	15	R-12 High Temp.	06EZ150
Copeland	4RH1-1500	15	R-12 Med. Temp.	06EY150
Copeland	4RH1-2500	25	R-22 A/C Duty	06ET250
Copeland	4RH1-2500	25	R-22 Med. Temp.	06EZ150
Copeland	4RH1-2500	25	R-502 Med. Temp.	06EZ150
Copeland	4RH2-2500	25	R-502 Med. Temp.	06EZ150
Copeland	4RJ1-3000	30	R-22 A/C Duty	06ET265
Copeland	4RJ2-3000	30	R-22 A/C Duty	06ET265
Copeland	4RK1-2500	25	R-22 A/C Duty	06ET250
Copeland	4RK2-1500	15	R-12 Med. Temp.	06EZ150
Copeland	4RK2-2500	25	R-22 A/C Duty	06ET250
Copeland	4RL1-1500	15	R-502 Low Temp. Cylinder Head Cooling Fan Req.	06EY150
Copeland	4RR1-3000	30	R-22 A/C Duty	06ET265
Copeland	4RR2-3000	30	R-22 A/C Duty	06ET265
Copeland	6DH1-2000	20	R-12 Med. Temp.	06EY/EZ175
Copeland	6DH1-3500	35	R-22 A/C Duty	06ET275
Copeland	6DH1-3500	35	R-502 Med. Temp.	06EZ199
Copeland	6DJ1-4000	40	R-22 A/C Duty	06ET299
Copeland	6DJ1-4000	40	R-502 Med. Temp.	06EZ199
Copeland	6DL1-2700	27	R-502 Low Temp. Cylinder Head Cooling Fan Req.	06EY175
Copeland	6DT1-3000	30	R-502 Low Temp. Cylinder Head Cooling Fan Req.	06EY099
Copeland	6DR1-4000	40	R-22 A/C Duty	06ET299
Copeland	6DS1-4000	40	R-22 A/C Duty	06ET299

COMPRESSOR CROSS REFERENCE

COMPRESSOR CROSS REFERENCE DATA continued

CAUTION: These suggested service replacement compressors are possible substitutes for the listed competitive compressor models. Understand, due to the many possible variations and applications, the RCD suggested replacement may not be a direct substitution. The RCD compressors were matched to the competitive compressor based on general compressor parameters (horsepower, cfm, drive, and mechanical similarities, etc.). Know the application, electrical requirements, mounting and physical limitations before recommending a service replacement.

MANUFACTURER	MODEL #	HP	NOTES	CARLYLE REPLACEMENT
Copeland	6RA4-2000	20	R-12 Med. Temp.	06EY165
Copeland	6RA4-3000	30	R-502 Med. Temp.	06ET265
Copeland	6RE2-3000	30	R-22 A/C Duty	06ET265
Copeland	6RH1-2000	20	R-12 Med. Temp.	06EY175
Copeland	6RH1-3500	35	R-502 Med. Temp.	06EZ175
Copeland	6RH1-3500	35	R-12 High Temp.	06EZ175
Copeland	6RH1-3500	35	R-502 Low Temp., Cylinder Head Cooling Fan Req.	06EY175
Copeland	6RH1-3500	35	R-22 A/C Duty	06ET275
Copeland	6RJ1-4000	40	R-502 Med. Temp.	06EZ175
Copeland	6RJ1-4000	40	R-502 Med. Temp.	06EZ199
Copeland	6RJ1-4000	40	R-22 A/C Duty	06ET299
Copeland	6RJ1-4000	40	R-22 Med. Temp.	06EZ199
Copeland	6RK2-3500	35	R-22 A/C Duty	06ET275
Copeland	6RL1-2500	25	R-502 Low Temp., Cylinder Head Cooling Fan Req.	06EY175
Copeland	6RN2-3000	30	R-22 A/C Duty	06ET265
Copeland	6RP2-3500	35	R-22 A/C Duty	06ET275
Copeland	6RR2-4000	40	R-22 A/C Duty	06ET299
Copeland	6RS2-4000	40	R-22 A/C Duty	06ET299
Copeland	6RT1-3000	30	R-502 Low Temp. Cylinder Head Cooling Fan Req.	06EY175
Copeland	9RA1-0500	5	R-12 Med. Temp.	06DR820
Copeland	9RA1-0505	5	R-12 Med. Temp.	06DR820
Copeland	9RA1-0760	7.5	R-12 Med. Temp.	06DR820
Copeland	9RA1-0760	7.5	R-22 Med. Temp.	06DR820
Copeland	9RB1-0500	5	—	06DR718
Copeland	9RB1-0760	7.5	R-502 Low Temp. Cylinder Head Cooling Fan Req.	06DR724
Copeland	9RB1-0760	7.5	R-12 Med. Temp.	06DR228
Copeland	9RB1-0765	7.5	—	06DR228
Copeland	9RC1-0760	7.5	R-12 Med. Temp.	06DM724
Copeland	9RC1-1010	10	R-502 Med. Temp.	06DR724
Copeland	9RC1-1010	10	R-22 A/C Duty	06DX328
Copeland	9RC1-1010	10	R-502 Med. Temp.	06DR228
Copeland	9RC1-1015	10	R-502 Med. Temp.	06DR724
Copeland	9RC1-1015	10	R-22 A/C Duty	06DX328
Copeland	9RJ1-0500	5	R-12 Semi-Hermetic	06DR724
Copeland	9RN1-0760	7.5	R-22 A/C Duty	06DM818
Copeland	9RP2-0760	7.5	R-12 Med. Temp.	06DM724
Copeland	9RP2-1010	10	R-22 A/C Duty	06DX328
Copeland	9RS1-1500	15	R-22 A/C Duty	06DX537
Copeland	9RS1-1500	15	R-502 Med. Temp.	06DR228
Copeland	9RS2-0760	7.5	R-12 Med. Temp., R-502 Low Temp.	06DR337
Copeland	9RS3-0760	7.5	R-12 Med. Temp.	06DR228
Copeland	9RS3-0760	7.5	R-502 Low Temp. Cylinder Head Cooling Fan Req.	06DR228
Copeland	9RS3-1010	10	R-12 Med. Temp.	06DM337
Copeland	9RS3-1010	10	R-502 Low Temp. Cylinder Head Cooling Fan Req.	06DR228
Copeland	9RT1-1500	15	R-22 A/C Duty	06DX537
Copeland	9RT1-1505	15	R-22 A/C Duty	06DX537
Copeland	EAD1-0200	2	R-502 Low Temp. Cylinder Head Cooling Fan Req.	06DR109
Copeland	EAL2-0200	2	R-12 Med. Temp.	06DR109
Copeland	EAV1-0200	2	R-12 Med. Temp.	06DR109
Copeland	EAV1-0200	2	R-502 Low Temp. Cylinder Head Cooling Fan Req.	06DR109
Copeland	ERC1-0200	2	R-502 Med. Temp.	06DM808
Copeland	ERC1-0200	2	R-22 Med. Temp.	06DM808
Copeland	ERC2-0200	2	R-502 Med. Temp.	06DM808

COMPRESSOR CROSS REFERENCE

COMPRESSOR CROSS REFERENCE DATA continued

CAUTION: These suggested service replacement compressors are possible substitutes for the listed competitive compressor models. Understand, due to the many possible variations and applications, the RCD suggested replacement may not be a direct substitution. The RCD compressors were matched to the competitive compressor based on general compressor parameters (horsepower, cfm, drive, and mechanical similarities, etc.). Know the application, electrical requirements, mounting and physical limitations before recommending a service replacement.

MANUFACTURER	MODEL #	HP	NOTES	CARLYLE REPLACEMENT
Copeland	ERF1-0310	3	R-502 Med. Temp.	06DM808
Copeland	ERF1-0310	3	R-22 Med. Temp.	06DM808
Copeland	ERF1-0310	3	R-22 A/C Duty	06DM808
Copeland	ERJ2-0200	2	R-12 Med. Temp.	06DR109
Copeland	ERJ2-0200	2	R-502 Med. Temp.	06DR109
Copeland	LAC1-0310	3	R-12 Med. Temp.	06DR013
Copeland	LAC1-0310	3	R-502 Low Temp., Cylinder Head Cooling Fan Req.	06DR013
Copeland	LAH1-0310	3	R-12 Med. Temp.	06DR013
Copeland	LAH1-0310	3	R-502 Low Temp. Cylinder Head Cooling Fan Req.	06DR109
Copeland	LAL1-0310	3	R-12 Med. Temp.	06DR013
Copeland	MRA2-0500	5	R-502 Low Temp. Cylinder Head Cooling Fan Req.	06DR316
Copeland	MRA2-0500	5	R-12 Med. Temp.	06DM316
Copeland	MRA2-0500	5	R-12 Med. Temp.	06DR316
Copeland	MRB1-0500	5	R-12 Med. Temp.	06DR718
Copeland	MRF2-0500	5	R-12 High Temp.	06DM316
Copeland	MRF2-0500	5	R-12 Med. Temp.	06DR316
Copeland	MRH2-0760	7.5	R-22 A/C Duty	06DM818
Copeland	MRH4-0760	7.5	R-502 Med. Temp.	06DR718
Copeland	MRH4-0760	7.5	R-22 Med. Temp.	06DR718
Copeland	MRH4-0760	8	R-22 A/C Duty	06DM818
Copeland	NRA2-0500	5	R-22 A/C Duty	06DM313
Copeland	NRB2-0310	3	R-12 Med. Temp.	06DR109
Copeland	NRB2-0400	4	R-22 A/C Duty	06DM313
Copeland	NRB2-0400	4	R-22 Med. Temp.	06DM313
Copeland	NRD1-0310	3	R-12 Med. Temp.	06DR013
Copeland	NRD1-0310	3	R-502 Low Temp. Cylinder Head Cooling Fan Req.	06DR013
Copeland	NRM1-0500	5	R-12 Med. Temp.	06DM316
Copeland	NRM1-0500	5	R-502 Med. Temp.	06DM316
Dunham-Bush	100PHF	10	R-502 Med. Temp.	06DM824
Dunham-Bush	100PHF	10	—	06DX824
Dunham-Bush	105DLN	—	Open Drive	5F60
Dunham-Bush	205DLFN	—	Open Drive	5F60
Dunham-Bush	111PHF/CF	10	R-22 A/C Duty	06DX328
Dunham-Bush	1015BHF6V5HBJ6C	—	—	06LH214
Dunham-Bush	1210BHF6L5HBJ0C	—	—	06LH218
Dunham-Bush	150PHF	15	—	06DX537
Dunham-Bush	151PHF	15	—	06DX537
Dunham-Bush	151PHFCF-BG	15	—	06DM537
Dunham-Bush	151PHF/CF	15	—	06DX537
Dunham-Bush	151UPHF/CF	15	—	06DX537
Dunham-Bush	154PHC/ELF	15	—	06DX537
Dunham-Bush	15C/ELF	—	—	06DR109
Dunham-Bush	200PHF	20	—	06DX537
Dunham-Bush	200UPHF	20	—	06ET250
Dunham-Bush	201PHF/CF	17.5	R-22 A/C Duty	06ET250
Dunham-Bush	204PHF	20	R-502 Med. Temp.	06EZ150
Dunham-Bush	204PHF	20	—	06ET250
Dunham-Bush	204PHF/CF	20	R-22 A/C Duty	06ET250
Dunham-Bush	204PHF-CF-BZ	20	—	06ET250
Dunham-Bush	204PHF/BZ	20	—	06EX150
Dunham-Bush	20C/ELF	—	—	06DR109
Dunham-Bush	20H/CF/LF	—	—	06DM808
Dunham-Bush	20L	2	R-12 Low Temp. Semi-Hermetic	06DR109

COMPRESSOR CROSS REFERENCE

COMPRESSOR CROSS REFERENCE DATA continued

CAUTION: These suggested service replacement compressors are possible substitutes for the listed competitive compressor models. Understand, due to the many possible variations and applications, the RCD suggested replacement may not be a direct substitution. The RCD compressors were matched to the competitive compressor based on general compressor parameters (horsepower, cfm, drive, and mechanical similarities, etc.). Know the application, electrical requirements, mounting and physical limitations before recommending a service replacement.

MANUFACTURER	MODEL #	HP	NOTES	CARLYLE REPLACEMENT
Dunham-Bush	20LF	2	R-502 Low Temp.	06DR109
Dunham-Bush	255HNF	25	—	06ET250
Dunham-Bush	256DCLFN	—	—	5F60
Dunham-Bush	257LFN	25	R-502 Low Temp.	06EY175
Dunham-Bush	258DCLFN	—	—	5H40
Dunham-Bush	306HF	30	R-22 A/C Duty	06EX265
Dunham-Bush	307CFN	30	R-22 Med. Temp.	06ET275
Dunham-Bush	308LFN	30	—	06ET275
Dunham-Bush	308DLFN	30	R-502 Low Temp. Open Drive	5H40
Dunham-Bush	30C/ELF	3	—	06DR013
Dunham-Bush	30ELF	3	R-502 Low Temp.	06DR316
Dunham-Bush	30HF	3	R-22 A/C Duty, R-502 Med. Temp.	06DM808
Dunham-Bush	30LF	3	R-502 Low Temp.	06DR013
Dunham-Bush	32C	3	R-12 Med. Temp.	06DR013
Dunham-Bush	32ELF	3	R-502 Med. Temp.	06DM313
Dunham-Bush	32ELF	3	R-502 Low Temp.	06DR316
Dunham-Bush	357HF	35	R-22 A/C Duty	06EX275
Dunham-Bush	408HF	40	R-22 A/C Duty	06ET299
Dunham-Bush	50C	5	R-12 Med. Temp.	06DR824
Dunham-Bush	50DC/ELF	5	R-12 Med. Temp., R-502 Low Temp.	06DR718
Dunham-Bush	50H	5	R-12 High Temp.	06DM818
Dunham-Bush	50LF	5	R-502 Low Temp.	06DR316
Dunham-Bush	509HEN	50	—	06EX299
Dunham-Bush	509HF	50	Semi-Hermetic	06EX299
Dunham-Bush	511DCLF	50	—	5H46
Dunham-Bush	511HF	50	—	06LH214
Dunham-Bush	75CF	7.5	—	06DM818
Dunham-Bush	75DPC/ELF	7.5	R-12 Med. Temp., R-502 Low Temp.	5F40
Dunham-Bush	75DPL	7.5	R-12 Low Temp.	5F40
Dunham-Bush	75HF	7.5	—	06DM818
Dunham-Bush	76PH/C/LF	7.5	R-502	06DR228
Dunham-Bush	76PH/C/LF	7.5	R-12	06DR724
Dunham-Bush	A5HH/C	—	Semi-Hermetic	06ET275
Dunham-Bush	B3HHC	—	Semi-Hermetic	06ET275
Dunham-Bush	B4HHC	—	—	06ET299
Frick	MCM-4A	—	Open Drive	5H46
Frick	MCM-4B	—	Open Drive	5H40
Frick	MCM-6A	—	Open Drive	5H80
Frick	MCM-6B	—	Open Drive	5H60
Frick	MCM-8A	—	Open Drive	5H86
Frick	MCM-8B	—	Open Drive	5H80
Lennox	L2A18024G-A3	—	Hermetic	06DX537
Lennox	L2B12724L-B3	—	Hermetic	06DX328
Lennox	L2B12724L-B4	—	Hermetic	06DX328
Lennox	L2D12724F-C4	—	Hermetic	06DX328
Lennox	L2D12724L-C5	—	Hermetic	06DX328
Lennox	L2D12724AZ-B1	—	Hermetic	06DX328
Lennox	L6A18024G-A2	—	Hermetic	06DX537
Prestcold	E036C100	—	Open Drive	5H40
Prestcold	E2027C4	—	Open Drive	5H40
Prestcold	E2027X2	—	—	06ET265
Prestcold	E2050C1	—	Open Drive	5H46
Prestcold	R2120P	—	R-502 Low Temp.	06DR228

COMPRESSOR CROSS REFERENCE

COMPRESSOR CROSS REFERENCE DATA continued

CAUTION: These suggested service replacement compressors are possible substitutes for the listed competitive compressor models. Understand, due to the many possible variations and applications, the RCD suggested replacement may not be a direct substitution. The RCD compressors were matched to the competitive compressor based on general compressor parameters (horsepower, cfm, drive, and mechanical similarities, etc.). Know the application, electrical requirements, mounting and physical limitations before recommending a service replacement.

MANUFACTURER	MODEL #	HP	NOTES	CARLYLE REPLACEMENT
Prestcold	R2120P	—	R-12 Med. Temp.	06DM337
Tecumseh	CJ	—	Open Drive	5F20
Tecumseh	CK	—	Open Drive	5F40
Tecumseh	CM	—	Open Drive	5F60
Trane	1E5()48	30	R-12 Med. Temp. and A/C Duty, Remove 1 Suction Ring	06LH114
Trane	1E5()58	40	R-12 Med. Temp. and A/C Duty	06LH114
Trane	1E5()68	50	R-12 Med. Temp. and A/C Duty	06LH118
Trane	1E5()88	60	R-12 Med. Temp. and A/C Duty, Remove 1 Suction Ring	06LH128
Trane	1F5()88	25	R-12 Med. Temp. and A/C Duty	06EZ199
Trane	2B514	—	Open Drive	5F40
Trane	2B516	—	Open Drive	5F60
Trane	2B518	—	Open Drive	06ET275
Trane	2E5()48	50	R-22 A/C Duty, Remove 1 Suction Ring	06LH214
Trane	2E5()58	60	Semi-Hermetic	06LH214
Trane	2E5()68	75	R-22 A/C Duty	06LH218
Trane	2E5F81	—	R-22 A/C Duty, Remove 2 Suction Ring Valves	06LH228
Trane	2E5J81N	—	R-22 A/C Duty, Remove 2 Suction Ring Valves	06LH228
Trane	2E5()88	100	R-22 A/C Duty, Remove 2 Suction Ring	06LH228
Trane	2F5()38	15	Semi-Hermetic	06D()537
Trane	2F5()48	20	Semi-Hermetic	06ET250
Trane	2F5()58	25	Semi-Hermetic	06E()265
Trane	2F5()68	30	Semi-Hermetic	06ET275
Trane	2F5()69	30	R-22 Semi-Hermetic	06ET275
Trane	2F5()88	40	Semi-Hermetic	06ET299
Trane	3E5()40	—	Open Drive, Do Not Belt Drive	5H46
Trane	3E5()50	—	Open Drive	5H60
Trane	3E5()60	—	Open Drive	5H66
Trane	3E5()80	—	Open Drive	5H86
Trane	3F5()30	—	Open Drive	5F40
Trane	3F5()60	—	Open Drive	06ET275
Trane	3F5()80	—	Open Drive	5H40
Trane	A514	—	Open Drive, Do Not Belt Drive	5H46
Trane	A516	—	Open Drive, Do Not Belt Drive	5H66
Trane	CRHK-200A	—	R-22 Hermetic	06ET250
Trane	CRHK-300T	—	R-22 Hermetic	06ET275
Trane	CRHM100	10	R-12 Med. Temp. and A/C Duty	06DM337
Trane	CRHM130	13	R-12 Med. Temp. and A/C Duty	06EZ150
Trane	CRHM150	15	R-22 A/C Duty	06DX537
Trane	CRHM160	—	R-22	06ET250
Trane	CRHM170	17	R-12 Med. Temp. and A/C Duty	06EY165
Trane	CRHM190	19	R-12 Med. Temp. and A/C Duty	06EZ175
Trane	CRHM200	20	R-22 A/C Duty	06ET250
Trane	CRHM200A-2B	20	Semi-Hermetic	06ET250
Trane	CRHM200A-2GAT	20	Semi-Hermetic	06ET250
Trane	CRHM200A-2J	20	Semi-Hermetic	06ET250
Trane	CRHM200B-2G	20	Semi-Hermetic	06ET250
Trane	CRHM200C-2D	20	Semi-Hermetic	06ET250
Trane	CRHM250	25	R-22 A/C Duty	06ET26S
Trane	CRHM250A-4G	25	Semi-Hermetic	06ET265
Trane	CRHM250B-3B	25	Semi-Hermetic	06ET265
Trane	CRHM300	30	R-22 A/C Duty	06ET275
Trane	CRHM300A-4GAT	30	Semi-Hermetic	06ET275
Trane	CRHM300C-4G	30	Semi-Hermetic	06ET275
Trane	CRHM300C-4JAS	30	Semi-Hermetic	06ET275
Trane	CRHM300W-4JAT	30	Semi-Hermetic	06ET275

COMPRESSOR CROSS REFERENCE

COMPRESSOR CROSS REFERENCE DATA continued

CAUTION: These suggested service replacement compressors are possible substitutes for the listed competitive compressor models. Understand, due to the many possible variations and applications, the RCD suggested replacement may not be a direct substitution. The RCD compressors were matched to the competitive compressor based on general compressor parameters (horsepower, cfm, drive, and mechanical similarities, etc.). Know the application, electrical requirements, mounting and physical limitations before recommending a service replacement.

MANUFACTURER	MODEL #	HP	NOTES	CARLYLE REPLACEMENT
Trane	CRHR260	26	R-12 Med. Temp. and A/C Duty	06EZ199
Trane	CRHR320	32	R-12 Med. Temp. and A/C Duty Remove 1 Suction Ring	06LH114
Trane	CRHR380	38	R-12 Med. Temp. and A/C Duty	06LH114
Trane	CRHR400	40	R-22 A/C Duty	06ET299
Trane	CRHR400A-3H	40	Semi-Hermetic	06ET299
Trane	CRHR400C-3E	40	Semi-Hermetic	06ET299
Trane	CRH400D-30	40	Semi-Hermetic	06ET299
Trane	CRHR500	50	R-22 A/C Duty, Remove 1 Suction Ring	06LH214
Trane	CRHR600	60	A/C Duty	06LH214
Westinghouse	CB065	7.5	—	06D()328
Westinghouse	CB094	7.5	—	06DM824
Westinghouse	CB101	8	—	06DM824
Westinghouse	CB127	10	R-22 Semi-Hermetic	06D()328
Westinghouse	CB127A1P	10	R-22 Semi-Hermetic	06D()328
Westinghouse	CB151	15	R-22 Semi-Hermetic	06DM537
Westinghouse	CB151A1Q	15	R-22 Semi-Hermetic	06DM537
Westinghouse	CB151W	15	R-22 Semi-Hermetic	06DM537
Westinghouse	CB151W1Q	15	R-22 Semi-Hermetic	06DM537
Westinghouse	CC035	35	—	06ET275
Westinghouse	CC040	40	R-12 Semi-Hermetic	06EZ199
Westinghouse	CC040	40	R-22 Semi-Hermetic	06ET299
Westinghouse	CC050	50	Remove 1 Suction Ring	06LH114
Westinghouse	CC055	55	Remove 1 Suction Ring	06LH214
Westinghouse	CC060	60	—	06LH214
Westinghouse	CC070	70	Remove 1 Suction Ring	06LH118
Westinghouse	CC080	80	—	06LH218
Westinghouse	CC095	95	Remove 2 Suction Rings	06LH128
Westinghouse	CC105	105	Remove 1 Suction Ring	06LH228
Westinghouse	CC115	115	—	06LH228
Westinghouse	CD090	7.5	—	06DM818
Westinghouse	CLS51	5	R-22 Semi-Hermetic	06DM818
Westinghouse	CLS108	25	R-12 Semi-Hermetic	06EZ199
Westinghouse	CLS125	30	R-22 Semi-Hermetic	06E()275
Westinghouse	CLS150	45	R-22 Semi-Hermetic	06ET299
Westinghouse	CLS185	60	—	06LH214
Westinghouse	CLS188	5	—	06DM818
Westinghouse	CLS282	7.5	Refrigeration Duty	06DR228
Westinghouse	CLS282	7.5	R-12 A/C Duty	06DR328
Westinghouse	CLS550	15	R-12/1150RPM	06EZ266
Westinghouse	CLS81	7.5	R-22 Semi-Hermetic	06DM818
Westinghouse	CLS850	25	R-12	06EZ199
Westinghouse	CLS86	20	—	06LH209
Worthington	23J5-10	10	—	06DX824
Worthington	23JF5-10	10	R-22 Semi-Hermetic	06DX824
Worthington	2HF3-7.5	7.5	R-22 Semi-Hermetic	06DM818
Worthington	2JF3	5	—	06DM313
Worthington	2JF5	10	—	06DM718
Worthington	2JF5-10	10	—	06DM818
Worthington	2JF5-7.5	7.5	R-22 Semi-Hermetic	06DM818
Worthington	2VC4	25	Open Drive	5F40
Worthington	2VC5	30	Open Drive	5F60
Worthington	2VC6	30	Open Drive	5F60

COMPRESSOR CROSS REFERENCE

COMPRESSOR CROSS REFERENCE DATA continued

CAUTION: These suggested service replacement compressors are possible substitutes for the listed competitive compressor models. Understand, due to the many possible variations and applications, the RCD suggested replacement may not be a direct substitution. The RCD compressors were matched to the competitive compressor based on general compressor parameters (horsepower, cfm, drive, and mechanical similarities, etc.). Know the application, electrical requirements, mounting and physical limitations before recommending a service replacement.

MANUFACTURER	MODEL #	HP	NOTES	CARLYLE REPLACEMENT
Worthington	2VC7	35	Open Drive	06ET265
Worthington	2VH4	20	R-22 Semi-Hermetic	06EX250
Worthington	2VH5	—	R-22 Semi-Hermetic	06ET265
Worthington	2VH7	30	R-22 Semi-Hermetic	06EX299
Worthington	2VXC6	—	Open Drive	5F60
Worthington	2VXC65A	—	Open Drive	5H40
Worthington	2VXC8	—	Open Drive	5H46
Worthington	2VXH3	17.5	Semi-Hermetic	06DX537
Worthington	2VXH4	25	Semi-Hermetic	06ET250
Worthington	2VXH5	30	Semi-Hermetic	06ET265
Worthington	2VXH6	35	Semi-Hermetic	06ET275
Worthington	2VXH7	40	Semi-Hermetic	06ET299
Worthington	2VXH8	45	Semi-Hermetic, Remove 1 Suction Ring	06LH214
Worthington	2VXHG4	25	Semi-Hermetic	06EX275
Worthington	2VXHJ6B	45	Semi-Hermetic	06EX275
Worthington	2VXHJ6BS2	45	Semi-Hermetic	06ET275
Worthington	2VXHM7A	40	Semi-Hermetic	06ET299
Worthington	2VXHM8	40	Remove 1 Suction Ring	06LH214
Worthington	3JF4	15	Open Drive	06E()299
Worthington	3JF6	25	Open Drive	06LH214
Worthington	3JFS4	7.5	—	06E()299
Worthington	3VC4	—	Open Drive	5H40
Worthington	3VC5HL	—	Open Drive	5H46
Worthington	3VC6	—	Open Drive	5H60
Worthington	3VC7HSK	—	Open Drive	5H66
Worthington	3VC8	—	Open Drive	5H80
Worthington	3VH05	50	Semi-Hermetic, Remove 1 Suction Ring	06LH214
Worthington	3VH06	60	Semi-Hermetic	06LH214
Worthington	3VHN4	40	Semi-Hermetic	06LH209
Worthington	3VHN4B	40	Semi-Hermetic	06LH209
Worthington	3VHP6	50	Semi-Hermetic	06LH214
Worthington	3VHP7R	70	Semi-Hermetic	06LH214
Worthington	3VHR8	—	R-22 Semi-Hermetic	06LH218
Worthington	3VHT8	—	Semi-Hermetic	06LH218
Worthington	3VXC8	—	Open Drive	5H86
Worthington	3VXH-8	100	Semi-Hermetic, Remove 2 Suction Ring Valves	06LH228
Worthington	3VXHT8R	100	Semi-Hermetic	06LH218
Worthington	3VXHV8S3	100	Semi-Hermetic	06LH228
Worthington	4JF4	40	Open Drive	5H40
York	BF29	—	Open Drive	5H40
York	ES68S-25-AS	—	Semi-Hermetic	06DM818
York	ES68T-25-AS	—	Semi-Hermetic	06DM818
York	ES68T-46-AS	—	Semi-Hermetic	06DM818
York	F3049	—	Open Drive	5H60
York	F30696BE	—	Open Drive	5H80
York	F3089	—	Open Drive	5H120
York	F32S	—	Open Drive	5F40
York	F92S	40	Open Drive	5H46
York	G63SA	—	—	5H60
York	H256	25	—	06ET265
York	H256WC	25	—	06ET265
York	H256WW	25	—	06ET265
York	H306GC	30	—	06ET275

COMPRESSOR CROSS REFERENCE

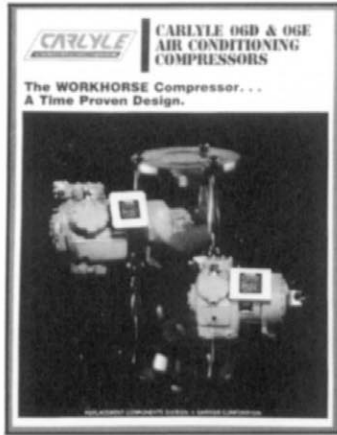
COMPRESSOR CROSS REFERENCE DATA continued

CAUTION: These suggested service replacement compressors are possible substitutes for the listed competitive compressor models. Understand, due to the many possible variations and applications, the RCD suggested replacement may not be a direct substitution. The RCD compressors were matched to the competitive compressor based on general compressor parameters (horsepower, cfm, drive, and mechanical similarities, etc.). Know the application, electrical requirements, mounting and physical limitations before recommending a service replacement.

MANUFACTURER	MODEL #	HP	NOTES	CARLYLE REPLACEMENT
York	H32SM	15	Semi-Hermetic	06DX537
York	H459	45	Semi-Hermetic, Remove 1 Suction Ring Valve	06LH214
York	H615	25	—	06E()265
York	H615NF	—	R-22 A/C Duty	06ET265
York	H62SPDG	20	—	06EZ175
York	H62SQDG	20	Semi-Hermetic	06EZ175
York	H92SRDG	45	Semi-Hermetic	06LH114
York	H92SRFS	45	—	06LH114
York	H92SSCG	45	—	06LH114
York	HS256W	25	—	06ET265
York	JS43L-46AS	—	—	06LH214
York	SS42A-F46-G	20	—	06EX250
York	SS42B-F17-G	20	—	06EX250
York	SS42F-25-A-G	20	Semi-Hermetic	06EX250
York	SS42F-46G	20	Semi-Hermetic	06EX250
York	SS62B-J28-G	30	—	06ET275
York	SS62B~28-S	30	—	06ET275
York	SS62B~46-S	30	—	06ET275
York	SS62H-46-A-S	30	—	06ET275
York	SS63C-L46S	30	R-22 Semi-Hermetic	06ET299
York	SS82B-L46S	40	—	06ET299

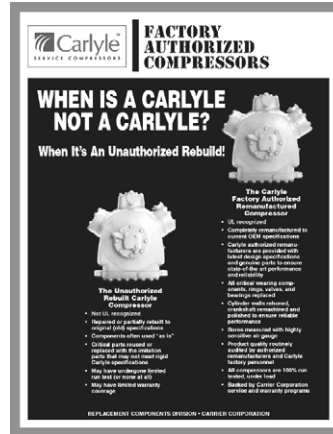
CARLYLE SEMI-HERMETIC COMPRESSORS

FULL COLOR CARLYLE COMPRESSOR LITERATURE AVAILABLE FROM YOUR AUTHORIZED CARLYLE DISTRIBUTOR



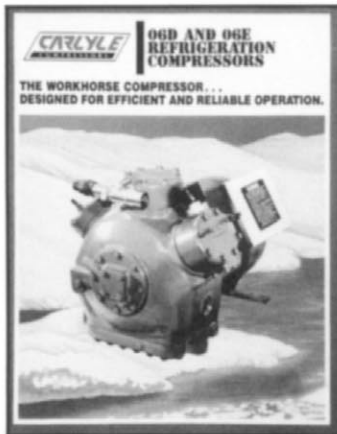
The 06D & 06E Air Conditioning Compressor brochure highlights some of the "fine tuning" improvements recently made to the 06D/06E.

Lit. No. 570-073



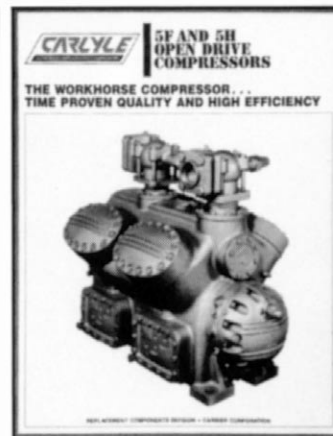
This provides a look at all the pieces and parts that are replaced or remanufactured in a Carlyle factory authorized remanufactured compressor. A written description of numerous checks that are performed to ensure Carlyle quality and reliability is also included.

Lit. No. 570-736



The 06D & 06E Refrigeration Compressor brochure discusses suction cutoff unloading, efficiency improvements and details an operating cost comparison between Carlyle and Copeland.

Lit. No. 570-720



The 5F and 5H Open Drive Compressor brochure highlights the features of these renowned compressors. Available accessories are also discussed.

Lit. No. 570-806



The Suction Cutoff Unloading Capacity Control brochure describes the operation, benefits and retrofitability of this capacity control system.

Lit. No. 570-671



The 5F and 5H Compressor Data and Accessory Guide contains 25 pages packed with information on 5F, 5H compressors and their companion accessories. A cross reference is located at the rear of the book.

Lit. No. 574-015





**AVAILABLE AT
YOUR AUTHORIZED
CARLYLE
DISTRIBUTOR**



Manufacturer reserves the right to discontinue, or change at any time, specifications or designs and prices without notice and without incurring obligations.

REPLACEMENT COMPONENTS DIVISION
© CARRIER CORPORATION 04/88 (Rev. G, 07/02)

www.totaline.com
Lit. No.: 570-613